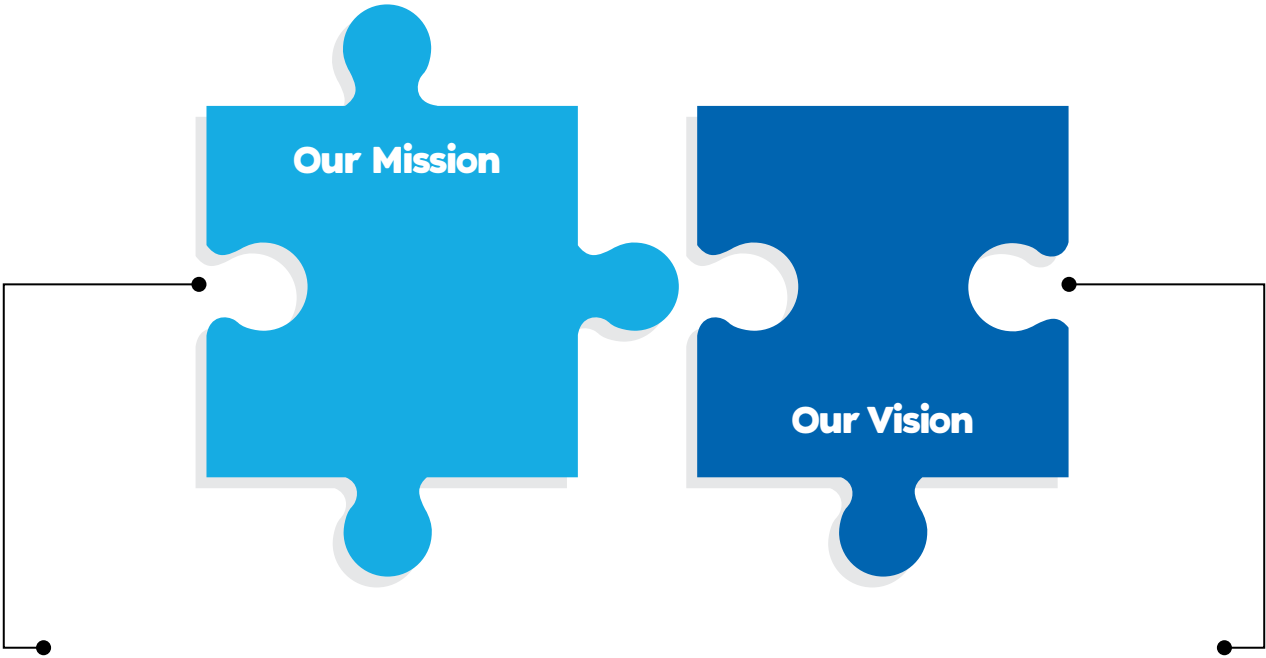




INDUSTRIAL PRODUCT CATALOG



INDUSTRIAL PRODUCT CATALOG



Our Mission

Our Mission is to provide “Value for Products” and establish trustworthy long term relations with the Clients and Suppliers. As well as deliver superior quality product and offer technical service to our customers in both Residential & Industrial Sections of Water Treatment fields.

Our Vision

Our vision is to always develop and produce reliable, high quality products at an affordable price.

INDEX

- 4 - 13 VALVES
 - 4 - 6 Flotrol
 - 7 - 9 Fleck Valve and Spare Parts
 - 10 - 11 Clack
 - 12 Runxin
 - 13 Fleck
- 14 - 15 VALVE & ACCESSORIES
 - 14 Connectors and Yokes
 - 15 Diaphragm Valve, Manuel Valve and Diffussors
- 16 - 17 TANKS
 - 16 HFT Tanks
 - 17 Tank Accessories
- 18 - 19 SOFTENER SYSTEMS
 - 18 Softener Systems With Cabinet
 - 19 Softener Systems With Aspen Cabinet
- 20 - 21 BRINE & CHEMICAL TANKS
- 22 - 23 MINERAL & CHEMICALS
- 24 - 25 FILTERS & FILTER HOUSINGS
 - 24 Bigblue Filters - Filter Housings
 - 25 Carbon - PP - Meltblown Filters
- 26 - 29 INDUSTRIAL FILTERS
 - 26 Filterone Filters and Cartridges
 - 27 X-FLOW Ultrafiltration - Other UF Membranes
 - 28 High Flow Filters
 - 28-29 HydroSEP - SFS - BAG Filters
- 30 - 33 SEKO DOSAGE PUMPS
- 34 - 35 HIGH PRESSURE PUMPS
 - 34 - 35 CDL - CDLF Series
 - 35 CHL - CHLF Series
- 36 - 37 ULTRAVIOLET SYSTEMS
- 38 - 42 RO MEMBRANES
 - 38 CSM Membranes
 - 39 Vontron Membranes - HFT Membranes
 - 40 - 41 Toray Membranes - Nano & Ultra Filtration Membranes
 - 42 Ropur Antiscalants
- 43 MEMBRANE VESSELS & ACCESSORIES
- 44 - 46 REVERSE OSMOSIS SPARE PARTS - FLOWMETERS
 - 44 Reverse Osmosis Spare Parts
 - 45 HFT Valves and Electric Actuators
 - 46 Flowmeters
- 47 - 61 REVERSE OSMOSIS SYSTEMS INDUSTRIAL FILTRATION SYSTEMS
 - 48-49 Reverse Osmosis Systems
 - 50 - 51 Hydrosafe Automatic Sand Filtration Systems
 - 52 - 53 Hydrosafe Automatic Activated Carbon Filtration Systems
 - 54 - 55 Hydrosafe Automatic Iron Manganese Filtration Systems
 - 56 - 57 Hydrosafe Automatic Time Contolled Softener Systems
 - 58 - 59 Hydrosafe Automatic Flow Contolled Softener Systems
 - 60 - 61 Hydrosafe Automatic Tandem Softener Systems
- 62 Waste Water and Remineralization Systems
- 63 Ultra Filtration Systems

FLOTROL CONTROL VALVES

F20 SERIES

Stock Code	Product Descriptions	Valve Flow m ³ /h	Connection	Tank Connection	Price
1-FLO-56 CF	Filter CN	2,5	1"	2 1/2"	
1-FLO-56 CT	1600 Timer	2,5	1"	2 1/2"	
1-FLO-56 CV	1600 Volumetric CN	2,5	1"	2 1/2"	
1-FLO-56 NXT CF	Digital Filter Valve	2,5	1"	2 1/2"	
1-FLO-56 NXT ST	Digital Timer Valve	2,5	1"	2 1/2"	
1-FLO-56 NXT SM	Digital Volumetric Valve	2,5	1"	2 1/2"	

F20 Model Valve Prices includes BLFC, DLFC, Yoke, Diffussor Kit and Aircheck.



F25 SERIES

Stock Code	Product Descriptions	Valve Flow m ³ /h	Connection	Tank Connection	Price
1-FLT-F25F	Digital Filter Valve	4,5	1"	2 1/2"	
1-FLT-F25T	Digital Timer Valve	4,5	1"	2 1/2"	
1-FLT-F25V	Digital Volumetric Valve	4,5	1"	2 1/2"	

F25 Valve Prices includes BLFC, DLFC, Yoke, Diffussor Kit and Aircheck.



F30 SERIES

Stock Code	Product Descriptions	Valve Flow m ³ /h	Connection	Tank Connection	Price
1-FLT-F30F	Filter Valve F27	5	1"	2 1/2"	
1-FLT-F30T	1700 Timer Valve T27	5	1"	2 1/2"	
1-FLT-F30F-NXT	Digital Nxt Filter Valve F27	5	1"	2 1/2"	
1-FLT-F30T-NXT	Digital Nxt 1700 Timer T27	5	1"	2 1/2"	
1-FLT-F30V-NXT	Digital Nxt Volumetric V27	5	1"	2 1/2"	

F30 Valve Prices includes BLFC, DLFC, Yoke, Diffussor Kit and Aircheck.



F40 SERIES

Stock Code	Product Descriptions	Valve Flow m ³ /h	Connection	Tank Connection	Price
1-FLT-F40F	Filter Valve F28	10	1 1/2"	4"	
1-FLT-F40T	1700 - Timer T28	10	1 1/2"	4"	
1-FLT-F40F-NXT	Digital Nxt Filter Valve F28	10	1 1/2"	4"	
1-FLT-F40T-NXT	Digital Nxt 1700- Timer T28	10	1 1/2"	4"	
1-FLT-F40V-NXT	Digital Nxt 1700 -V. 200 m ³ V28	10	1 1/2"	4"	
1-FLT-F40D-NXT	Digital Nxt 1700 -Dublex. 200 m ³ D28	10	1 1/2"	4"	

F40 Valve Prices includes BLFC, DLFC, Yoke, Diffussor Kit and Aircheck.



FLOTROL CONTROL VALVES

F50 SERIES					
Stock Code	Product Descriptions	Valve Flow m ³ /h	Connection	Tank Connection	Price
1-FLT-F50F	Filter Valve F29	20	2"	4"	
1-FLT-F50T	1700 Timer T29	20	2"	4"	
1-FLT-F50F-NXT	Digital Nxt Filter Valve F29	20	2"	4"	
1-FLT-F50T-NXT	Digital Nxt 1700 Timer T29	20	2"	4"	
1-FLT-F50V-NXT	Digital Nxt 1700 Volum 375 m ³ V29	20	2"	4"	
1-FLT-F50D-NXT	Digital Nxt 1700 Dublex 375 m ³ D29	20	2"	4"	

F50 Valve Prices includes BLFC, DLFC, Yoke, Diffussor Kit and Aircheck.



F60 SERIES					
Stock Code	Product Descriptions	Valve Flow m ³ /h	Connection	Tank Connection	Price
1-FLT-F60F	Filter Valve F31	22	2"	4"	
1-FLT-F60T	1800 Timer (Tm-Sm) T31	22	2"	4"	
1-FLT-F60F-NXT	Digital Nxt Filter Valve F31	22	2"	4"	
1-FLT-F60T-NXT	Digital Nxt1800 Timer 375 m ³ (Tm-Sm) T31	22	2"	4"	
1-FLT-F60V-NXT	Digital Nxt 1800 Vol. 375 m ³ (Tm-Sm) V31	22	2"	4"	
1-FLT-F60D-NXT	Digital Nxt1800 Dblx 375 m ³ (Tm-Sm) D31	22	2"	4"	

F60 Valve Prices includes BLFC, DLFC, Yoke, Diffussor Kit and Aircheck.



F90 SERIES					
Stock Code	Product Descriptions	Valve Flow m ³ /h	Connection	Tank Connection	Price
1-FLT-F90F	Filter Valve F39	57	3"	6" Flange	
1-FLT-F90T	1800 Timer T39	57	3"	6" Flange	

F90 Valve Prices includes BLFC, DLFC, Yoke, Diffussor Kit and Aircheck.



VALVE SPARE PARTS and ACCESSORIES

PISTONS

Stock Code	Product Descriptions	Price
1-91-56-24116-1	5600 Piston	
1-91-27-24067-1	2750 Piston	
1-91-27-26495-1	2750 Piston NBP	
1-91-28-25155-1	2850 Piston WBP	
1-91-28-26494-1	2850 Piston NBP	
1-91-29-28412-1	2900 Lower Piston WBP	
1-91-29-28413-1	2900 Lower Piston NBP	
1-91-31-60106-1	3150 Piston WBP	
1-91-31-60113-1	3150 Piston NBP	
1-91-39-60107-10-1	3900 Piston NBP	
1-91-39-60107-01-1	3900 Piston WBP	



GASKET SET

Stock Code	Product Descriptions	Price
1-91-56-24115-1	5600 Gasket Set	
1-91-27-28415-1	2750 Gasket Set	
1-91-28-25156-2	2850 Gasket Set Plastic	
1-91-28-25156	2850 Gasket Set	
1-91-29-24205-1	2900 Lower Gasket Set	
1-91-31-18022-1	3150 Gasket Set	
1-91-39-18064-1	3900 Gasket Set	
1-91-95-18129-1	9500 Upper Gasket Set	
1-91-95-28665-1	9500 Lower Gasket Set	



FLECK PISTON and GASKET

Stock Code	Product Descriptions	Price
1-91-77-61438	7700 Oring Set	
1-91-77-61453-10	7700 Softener Piston	
1-91-77-61452-20	7700 Filter Piston	
1-91-77-61452-10	7700 Softener Piston HF	
1-91-90-24234	9000/9100 Upper Piston	
1-91-90-24235	9000/9100 Lower Piston	
1-91-95-18052	9500 Upper Piston	
1-91-95-18053	9500 Lower Piston	
1-91-90-25642	9000/9100 Oring Set	
1-91-95-18129	9500 Upper Oring Set	
1-91-95-28665	9500 Lower Oring Set	



VALVE SPARE PARTS and ACCESSORIES

BRINE VALVE

Stock Code	Product Descriptions	Price
1-91-03-24114-1	F20 / 5600 Brine Valve	
1-91-03-24526	9000 / 9100 Brine Valve	
1-91-03-18092	1600 Brine Valve 2750-2850-2900	
1-91-03-18055	1600 Brine Valve 9500	
1-91-03-28423-4	1710 Brine Valve 4 GPM Plastic	
1-91-03-24181	1700 Brine Valve 2750-2850-2900	
1-91-03-26575	7700 Brine Valve	
1-91-03-18057	1700 Brine Valve 9500	
1-91-03-26754-1	1800 Brine Valve	
1-91-03-24981-1	1700 Brine Valve Repair Set	
1-91-03-24981	1700 Brine V. Repair Set 2750-2850-2900	
1-91-03-27836-1	1800 Brine Valve Repair Set	



METER and EQUIPMENTS

Stock Code	Product Descriptions	Price
1-91-02-14038	Plastic Meter Cover Standard	
1-91-02-15150	Plastic Meter Cover Increased	
1-91-02-15218	Metal Meter Cover Standard	
1-91-02-15237	Metal Meter Cover Increased	
1-91-02-16401	Metal Meter Cover Increased(3")	
1-91-02-16400	Metal Meter Cover Standard (3")	
1-91-02-24108	3/4" Plastic Meter Standard 8 m3	
1-91-02-24106	3/4" Plastic Meter Increased 40 m3	
1-91-02-18330	Plastic Meter Cover Elektronik	
1-91-02-13509	Meter Impeller 1"	
1-91-02-15374	Meter Impeller 2"	
1-91-02-16575	Meter Impeller 3"	
1-91-02-171	Meter Cable 171 mm	
1-91-02-444	Meter Cable 444 mm for 3150-3900	
1-91-02-387	Meter Cable 387 mm for 2900	
1-91-02-336	Meter Cable 336 mm for 9000	
1-91-02-527	Meter Cable 527 mm for 9500	
1-91-02-159	Meter Cable 159 mm Remote Meter	
1-91-02-184	Meter Cable 184 mm Remote Meter	
1-91-02-19791	Meter Cable Elektronik (BR19791-01)	



MOTORS

Stock Code	Product Descriptions	Price
1-91-00-26775	Timer Motor 1/30 RPM 220V	
1-91-00-26778	Timer Motor 1/30 RPM 24V	
1-91-00-26776	Timer Motor 1/15 RPM 220V	
1-91-00-26777	Timer Motor 1 RPM 220V	
1-91-00-26779	Timer Motor 1/15 RPM 24V	
1-91-00-26780	Timer Motor 1 RPM 24V	
1-91-00-26503-24	Drive Motor 9000/9500 24V	
1-91-00-26503-230	Drive Motor 9000/9500 220V	
1-91-00-28409-24	Drive Motor 3150/3900 24V	
1-91-00-28409-220	Drive Motor 3150/3900 220V	
1-91-00-27204	Drive Motor 2510-2750-2850-2900 24V	
1-91-00-27205	Drive Motor 2510-2750-2850-2900 220V	
1-91-00-40388	Drive Motor 24V 2910 Alt	
1-91-00-40389	Drive Motor 220V 2910 Alt	
1-91-04-15131	9000/9500 Back Plate (Includes Drive Gear & Drive Motor)	
1-91-00-24219	3200 Control Panel	
1-91-00-24224	3210 Control Panel	
1-91-00-24231	9000/9500 Control Panel	
1-91-77-28366	7700 Display Board	
1-91-00-26260	24V Adapter 60 VA (2750-2850-2910-3150)	
1-91-00-25651	24V Adapter 10 VA (9000-9500)	
1-91-00-26259	24V Adapter 105 VA (3900)	
1-91-00-15320	Mikroswitch	
1-91-00-10774	Motor Bracket Right (2750-2850-2900)	
1-91-00-11826	Motor Bracket Left (2750-2850-2900)	



PISTONS and SPARE PARTS

Stock Code	Product Descriptions	Price
1-91-04-16495	3150-3900 Drive Cam Lower	
1-91-03-28400	5600 Injector Body	
1-91-03-15215	9000 Injector Body	
1-91-56-13170	5600 Main Drive Gear	
1-91-04-24267	2750-2850-2900 Drive Cam	
1-91-04-25868	9000/9500 Drive Gear Upper	
1-91-04-25870	9000/9500 Drive Gear Lower	
1-91-04-25869	9000/9500 Drive Gear Mid	
1-91-04-14896	9000/9500 Star Kam	
1-91-04-28164	2900 Lower Drive Cam	
1-91-04-16045	3150 – 3900 Drive Pnion	
1-91-04-16046	3150 – 3900 Drive Gear	
1-91-56-14177	5600 Knop	
1-91-03-17776	1600 Injector Body	
1-91-03-17777	1700 Injector Body	



ACCESSORIES

Stock Code	Product Descriptions	Price
1-91-56-13398	1" Yellow Yoke	
1-91-56-24689	3/4" Yellow Yoke	
1-91-56-28502	1" Fleck Bypass Valve	
1-91-56-18706	1" - 3/4" Plastic Yoke	
1-91-91-14865	9000 / 9100 Second Tank Adapter	
1-91-95-16916	9500 Second Tank Adapter	
1-91-90-24238	9000 Second Tank Adapter	
1-91-95-28137	9500 Connection Pipe	
1-91-77-28355	7700 Yoke 1 1/4"	
1-91-77-40563	7700 Yoke 1/2" 3/4" 1"	
1-91-77-40576	7700 Clips	
1-91-56-13709	5600 Coupling	
1-91-90-15078	9000 Coupling	
1-91-04-28389	2750-2850-2900 Brine Cam	
1-91-04-15132	9000 Triple Cam (brine)	
1-91-04-17765	9500 Triple Cam (brine)	
1-91-04-16494	3150-3900 Upper Brine cam	



CLACK CONTROL VALVES

WS 1 SERIES

Stock Code	Product Descriptions	Valve Flow m ³ /h	Connection	Tank Connection	Price
1-CLK-V1TCBTZ-03	WS1 TC Filter Valve	6,1	1"	6"-21"	
1-CLK-V1TCDTH-03	WS1 TC Softener Valve	6,1	1"	6"-21"	
1-CLK-V1EIDMH-03	WS1 EI Volumetric Softener Valve	6,1	1"	6"-21"	
1-CLK-VTT1EIDMH-03	WS1 Dublex Softener Valve	6,1	1"	6"-21"	

WS1 Prices Includes Diffussor Set and 1600 Air Check.



WS 125 SERIES

Stock Code	Product Descriptions	Valve Flow m ³ /h	Connection	Tank Connection	Price
1-CLK-V125TCBTZ-08	WS125 TC Filter Valve	7,7	1,25"	6"-21"	
1-CLK-V125TCDTI-08	WS125 TC Softener Valve	7,7	1,25"	6"-21"	
1-CLK-V125CIDME-08	WS125 EI Volumetric Soft. Valve	7,7	1,25"	6"-21"	
1-CLK-V125EI	WS125 EI Dublex Soft. Valve	7,7	1,25"	6"-21"	

WS125 Prices Includes Diffussor Set and 1600 Air Check.



WS 15 SERIES

Stock Code	Product Descriptions	Valve Flow m ³ /h	Connection	Tank Connection	Price
1-CLK-V15EIBTZ-05	WS15 EI Filter Valve	13,6	1 1/2"	12"-30"	
1-CLK-V15EIDTG-05	WS15 EI Softener Valve	13,6	1 1/2"	12"-30"	
1-CLK-V15EIDMH-05	WS15 EI Volumetric Valve	13,6	1 1/2"	12"-30"	
1-CLK-V15EI	WS15 Dublex Softener Valve	13,6	1 1/2"	12"-30"	

WS15 Prices Includes Diffussor Set and 1700 Air Check.



WS 2 SERIES

Stock Code	Product Descriptions	Valve Flow m ³ /h	Connection	Tank Connection	Price
1-CLK-V2EIBTZ-05	WS2 EI Filter Valve	26,1	2"	18"-36"	
1-CLK-V2EIDTD-05	WS2 EI Softener Valve	26,1	2"	18"-42"	
1-CLK-V2EIDMG-05	WS2 EI Volumetric Valve	26,1	2"	18"-42"	
1-CLK-V2EI	WS2 EI Dublex Valve	26,1	2"	18"-42"	

WS2 Prices Don't Include Diffussor Set. Prices Includes Air Check.



WS 2 QC SERIES

Stock Code	Product Descriptions	Valve Flow m ³ /h	Connection	Tank Connection	Price
1-CLK-V2EIBTZ-18	WS2 QC EI Filter Valve	28,3	2"	18"-36"	
1-CLK-V2EIDTD-18	WS2 QC EI Softener Valve	28,3	2"	18"-42"	
1-CLK-V2EIDMH-18	WS2 QC EI Volumetric Valve	28,3	2"	18"-42"	
1-CLK-V2EI-18	WS2 QC EI Dublex Valve	28,3	2"	18"-42"	

WS2 Prices Don't Include Diffussor Set. Prices Includes Air Check.



ALTERNATORS

Stock Code	Product Descriptions	Price
1-95-V3069MM-01	1" / 1,25" Dublex Alternator	
1-95-V3071BSPT	1,5" Dublex Alternator	
1-95-V3076BSPT	2" Dublex Alternator	
1-95-V3083BSPT	3" Dublex Alternator	



FLOWMETERS

Stock Code	Product Descriptions	Price
1-95-V3040BPST-15	1,5" Inline Flowmeter	
1-95-V3094BPST-15	2" Inline Flowmeter	
1-95-V3095BPST-15	3" Inline Flowmeter	



PISTONS

Stock Code	Product Descriptions	Price
1-95-V3006	WS1 Bypass Valve	
1-95-V3193-02	Switch Key	
1-95-V3007-06	WS1 1" Plastic Male Asy. (Plastic Yoke)	
1-95-V3007	1"PVC Elbow Union (Threaded)	
1-95-V3009	WS1 Auxiliary Microswitch	
1-95-V3005	WS1 Spacer Stack Asy (Gasket Set)	
1-95-V3011	WS1 Piston Downflow Asy	
1-95-V3003	WS1 Meter Asy	
1-95-V3176	WS1 Injektor Cap	
1-95-V3004	WS1 Drive Cap Asy	
1-95-V3186EU	V EU 220-240 V12 Adapter (Clack)	
1-95- V3430	WS15 Spacer Stack (Gasket Set)	
1-95- V3407	WS15 Piston	
1-95-V4052-01	1" Dublex Connection (8" - 21")	
1-95-V3010-1Z	WS1 Injektor Tap	
1-95-V3010	WS1 Injektor Colored 1A / 1K	
1-95-V3162	WS1 DLFC (2A-10 pm)	
1-95-V3007-08	WS1 1 1/4 Plastic Yoke	
1-95-V3191-01	WS1 Bypass Adapter	
1-95-V3190	WS1 DLFC (13-25 pm)	
1-95-V3008-04	WS1 Drain Fittings	
1-95-V3008-05	WS2 Drain Fittings	
1-95-V3080BSPT	BSPT WS15DLFC Asy.	
1-95-V3097BSPT	1,5 No Hard Water Bypass	
1-95-V3098BSPT	2" No Hard Water Bypass	
1-95-V3070FM	1,25 No Hard Water Bypass	
1-95-V3818TC-BOARD	1,25 WS1 TC Board	
1-95-V3408EI-04BOARD	1,25 WS1 EI Board	



RUNXIN CONTROL VALVES

FILTER VALVES

Stock Code	Product Descriptions	Valve Flow m³/h	Connection	Tank Connection	Price
1-RUX-F71P1	F71P1 Filter Valve	2	¾"	6"-12"	
1-RUX-F67P1	F67P1 Filter Valve	4	1"	6"-16"	
1-RUX-F71B1	F71B1 Filter Valve	2	¾"	6"-12"	
1-RUX-F67B1	F67B1 Filter Valve	4	1"	6"-16"	
1-RUX-N75A1	N75A1 Filter Valve	10	2"	16"-30"	
1-RUX-N77B1-T	N77B1-T Filter Valve	18	2"	24"-30"	
1-RUX-F111B1	F111B1 Filter Valve	20	2"	30"-42"	

The prices of ¾", 1" valves includes lower diffussor, upper diffussor, diffussor pipe. The prices of 2" valves includes upper diffussor, diffussor pipe.



SOFTENER VALVES

Stock Code	Product Descriptions	Valve Flow m³/h	Connection	Tank Connection	Price
1-RUX-F65P3	F65P3 Softener Valve	2	¾"	6"-12"	
1-RUX-F63P3	F63P3 Softener Valve	4	1"	6"-18"	
1-RUX-F69A3	F69A3 Softener Valve	2	¾"	6"-12"	
1-RUX-F63B3	F63B3 Softener Valve	4	1"	6"-18"	
1-RUX-N74A3	N74A3 Softener Valve	10	2"	16"-30"	
1-RUX-F99A3	F99A3 Softener Valve	15	2"	16"-42"	
1-RUX-N77A3	N77A3 Softener Valve	18	2"	16"-42"	
1-RUX-F111A3	F111A3 Softener Valve	20	2"	24"-48"	

The prices of ¾", 1" valves includes lower diffussor, upper diffussor, diffussor pipe. The prices of 2" valves includes upper diffussor, diffussor pipe.



RUNXIN FULL AUTOMATIC FILTER VALVES



F71B1



F67B1



N75A1



F111B1

RUNXIN FULL AUTOMATIC SOFTENER VALVES



F69A3/F70B



F63B3/F70A



N74A3



F99A3



F111A3

SPARE PARTS

Stock Code	Product Descriptions	Price
1-RUX-546821	Runxin Injector 1" (Yellow)	
1-RUX-546819	Runxin Injector F77-F99 (Yellow)	
1-RUX-546820	Runxin Injector F111 (Blue)	
1-RUX-1	1" Runxin Lower Body	
1-RUX-11/2"-ÜST	1 ½" Upper Diffussor	
1-RUX-MB1	Mainboard (F63 - F65 - F67)	
1-RUX-MB2	Mainboard (F74 - F75)	
1-RUX-2	2" Runxin Lower Body	
1-RUX-F80	2" 3 Way Elektronik Valve	

PALLUSA CONTROL VALVES

FLECK VALVES

Stock Code	Product Descriptions	Valve Flow m ³ /h	Connection	Tank Connection	Price
1-FLK-7000/1600	Fleck 7000/1600 Softener Valve	6,2	1 ¼"	2 ½"	
1-FLK-7000/1600 HF	Fleck 7000/1600 High Flow Soft. Valve	8,1	1 ¼"	2 ½"	
1-FLK-2510 F	Fleck 2510 Filter Valve	5	1"	2 ½"	
1-FLK-2510 T16	Fleck 2510 Softener Valve	5	1"	2 ½"	
1-FLK-9100-40	Fleck 9100 Dublex Softener Valve	4	1"	2 ½"	
1-FLK-9500-17	Fleck 9500 Dublex Softener Valve	8.4	1 ½"	4"	



CONTROL UNIT and ACCESSORIES

Stock Code	Product Descriptions	Price
1-92-1001-32I	V132 Upper Diffusor	
1-92-1002-D32	V132 Lower Diffusor	
1-92-2265-B/05	V132-V240 Union 1" Inner Threaded	
1-92-2265-K/05	V132-V240 Union 1 1/2" Inner Threaded	
1-92-494-C05	V230 Union Pvc Yapıştırma Ø40	
1-92-494-F05	V230 Union Bronz 1 1/2"	
1-92-5200	V250-V351 Upper Diffusor	
1-92-5201	V250-V351 Lower Diffusor	
1-92-494-A/05	V351 Union Pvc Ø50	
1-92-494-H/05	V250 V351 Pvc 1 1/2" Threaded	
1-92-1005 A05	V230 Upper Diffusor	
1-92-1006 A06	V230 Lower Diffusor	
1-92-BR1-100/05	Float Valve	
1-92-2162 K1/05	2162-K1 HCL Check Valve	
1-92-2162 A	2162-A NaOH Check Valve	
1-92-2161/05	Acid Regulator (SIATA 2161)	
1-92-2163/05	Conductivity Probe (SIATA)	
1-92-494-I05	V363 Union Pvc Ø63	
1-92-494-R05	V363 Union Pvc 2 " Threaded	
1-92-364 C/05-D/05	V360 2 1/2" - 3" Threaded Union	
1-92-364-Q01/05	V360 3"	
1-RUX-BR1-3/8-100/05	Runxin Floated Air Check - 3/8"	
1-RUX-BR2-3/4-100/06	Runxin Floated Air Check - 3/4"	



CONNECTORS

SIDED MONTAGE (SURFACE PIPING) CONNECTORS

Stock Code	Product Descriptions	Price
2-92-3	3" Nipple (H2814)	
1-91-01-5671-T	4" Elbow Diffusor	
2-92-H2814	3" Upper Diffusor (63-42 6" Flanged)	
1-91-01-HD6600	2" 6 Ways - For 30" Tank (Eco)	
1-91-01-HD6700	2" 6 Ways - For 36" Tank (Eco)	
1-91-01-HD6850	2" 6 Ways - For 42" Tank (Eco)	
1-91-01-HD6600-1	2" 6 Ways - For 30" Tank High Flow	
1-91-01-HD6700-1	2" 6 Ways - For 36" Tank High Flow	
1-91-01-HD6850-1	2" 6 Ways - For 42" Tank High Flow	
1-91-01-HD5673	3" 8 Ways - For 42" Tank 6" Flanged	
1-91-01-HD5674	3" 8 Ways - For 48" Tank 6" Flanged	
1-91-01-HD5675	3" 8 Ways - For 55" Tank 6" Flanged	
1-91-01-HD5676	3" 8 Ways - For 55" - 63" Tank 6" Flanged	
1-91-01-HD5673-2	3" 16 Ways (8x2) - For 42" Tank 6" Flanged	
1-91-01-HD5674-2	3" 16 Ways (8x2) - For 48" Tank 6" Flanged	
1-91-01-HD5675-2	3" 16 Ways (8x2) - For 55" Tank 6" Flanged	
1-91-01-HD5676-2	3" 16 Ways (8x2) - For 63" Tank 6" Flanged	



UPPER MONTAGE CONNECTORS

Stock Code	Product Descriptions	Price
1-91-01-HU6600	For 30" Tank (Eco) Upper Montage	
1-91-01-HU6700	For 36" Tank (Eco) Upper Montage	
1-91-01-HU6850	For 42" Tank (Eco) Upper Montage	
1-91-01-HU6600-B1	For 30" Tank Upper Montage (High Flow)	
1-91-01-HU6700-B1	For 36" Tank Upper Montage (High Flow)	
1-91-01-HU6850-B1	For 42" Tank Upper Montage (High Flow)	
1-91-01-HU5673	For 36" Tank (High Flow)	
1-91-01-HU5674	For 42" Tank (High Flow)	
1-91-01-HU5675	For 48" Tank (High Flow)	
1-91-01-HU5676	For 55" - 63" Tank (High Flow)	
1-91-01-HU5674-2	3" 2x8 Ways - For 42" Tank (High Flow)	
1-91-01-HU5675-2	3" 2x8 Ways - For 48" Tank (High Flow)	
1-91-01-HU5676-2	3" 2x8 Ways - For 55" Tank (High Flow)	



DIFFUSSOR EQUIPMENTS - DIAPHRAGM VALVE - MANUEL VALVE

DIFFUSSOR EQUIPMENTS

Stock Code	Product Descriptions	Price
1-91-01-027	Diffussor 3/4" - 0,35mm.	
1-91-01-026	Diffussor 3/4" - 0,2mm.	
1-91-01-18280	1" Upper Diffussor DN27	
1-91-01-25360	1" Lower Diffussor DN27	
1-91-01-25645	1" Diffussor With Pipe DN27	
1-91-01-KIT8	1 1/2" Upper Diffussor	
1-91-01-18396	1 1/2" Lower Diffussor	
1-91-01-18168	3/8" Air Check	
1-91-01-18979	3/4" Air Check	
1-91-01-004	1 1/4" Lower Diffussor DN32	
1-91-01-111281	2" Upper Diffussor DN63	
1-91-01-16258	3" Single Diffussor For 3900	
1-91-01-27	PVC Pipe DN27 (1,75m)	
1-91-01-32	PVC Pipe DN32 (2m)	
1-91-01-50	PVC Pipe DN50 (2m)	
1-91-01-63	PVC Pipe DN63 (2m)	
1-91-01-90	PVC Pipe DN90 (2m)	



DIAPHRAGM VALVES

Stock Code	Product Descriptions	Price
1-AQM-002	1/2" Plastic Diaphragm Valve	
1-AQM-003	1" Plastic Diaphragm Valve	
1-AQM-005	2" Plastic Diaphragm Valve	
1-AQM-002-1	3/8" - 1/2" Inner Diaphragm - For Diaphragm Valve	
1-AQM-003-1	1" Inner Diaphragm - For Diaphragm Valve	
1-AQM-005-1	1/2"-2" Inner Diaphragm - For Diaphragm Valve	



MANUEL VALVE

Stock Code	Product Descriptions	Price
1-MAN-S32	1" Manuel Valve Standard *	
1-MAN-S63	2" Manuel Valve Standard *	
1-MAN-S32-V	1" Manuel Valve - Valved Standard	
1-MAN-S63-V	2" Manuel Valve - Valved Standard	



* Prices Include Lower-Upper Diffussors.

INDUSTRIAL FRP TANKS

HFT TANKS

Stock Code	Product Descriptions	Size (mm)	Volume (lt)	Connection Dimension (inch)	Price
2-HFT-0817	8x17 Threaded - Upper	205x437	10,5	2 1/2"	
2-HFT-0835	8x35 Threaded - Upper	205x897	23,6	2 1/2"	
2-HFT-0935	9x35 Threaded - Upper	232x898	31,6	2 1/2"	
2-HFT-1035	10x35 Threaded - Upper	258x893	38,3	2 1/2"	
2-HFT-1054	10x54 Threaded - Upper	257x1390	61	2 1/2"	
2-HFT-1252	12x52 Threaded - Upper	307x1342	84,7	2 1/2"	
2-HFT-1354	13x54 Threaded - Upper	334x1400	105,7	2 1/2"	
2-HFT-1465	14x65 Threaded - Upper	360x1670	148	2 1/2"	
2-HFT-1465-4	14x65 Threaded - Upper	360x1670	148	4"	
2-HFT-1665	16x65 Threaded - Upper	410x1670	188,6	2 1/2"	
2-HFT-1665-4	16x65 Threaded - Upper	410x1670	188,6	4"	
2-HFT-1865	18x65 Threaded - Upper	460x1670	237	4"	
2-HFT-2162	21x62 Threaded - Upper	540x1910	312	4"	
2-HFT-2472	24x72 Threaded - Upper	612x2150	471	4"	
2-HFT-3072	30x72 Threaded - Lower & Upper	765x2150	728	4"-4"	
2-HFT-3672	36x72 Threaded- Lower & Upper	918x2150	1023	4"-4"	
2-HFT-4294	42x94 (42x72)F. - Lower & Upper	1088x2270	1389	6"-6"	
2-HFT-4894	48x94 (48x72)F. - Lower & Upper	1218x2400	1909	6"-6"	
2-HFT-6394	63x94 Flanged - Lower & Upper	1620x2400	3150	6"-6"	

HFT CONTAINER TYPE TANKS

Stock Code	Product Descriptions	Size (mm)	Volume (lt)	Connection Dimension (inch)	Price
2-HFT-KT-2472	24x72 Threaded - Upper	612x1850	415	4"	
2-HFT-KT-3072	30x72 Threaded - Lower Upper	765x1850	640	4"-4"	
2-HFT-KT-3672	36x72 Threaded - Lower Upper	918x1850	850	4"-4"	
2-HFT-KT-4272	42x72 Flanged - Lower Upper	1088x1850	1100	6"-6"	
2-HFT-KT-4872	48x72 Flanged - Lower Upper	1218x1850	1308	6"-6"	
2-HFT-KT-6383	63x83 Flanged - Lower Upper	1620x2100	2580	6"-6"	

HFT EXPANSION TANKS

Stock Code	Product Descriptions	Connection	Price
2-4-G-1624	16x24 HFT Expansion Tank - 35 Lt	1" - 1 1/2"	
2-4-G-1644	16x44 HFT Expansion Tank - 100 Lt	1" - 1 1/2"	



TANK ACCESSORIES

Stock Code	Product Descriptions	Price
2-92-005	4"-2 1/2" PVC Reduction	
2-92-002	4" PVC Blind Connection	
2-92-003	6" Flanged Blind Connection	
2-92-006	6" Flanged 4" Reduction	
2-92-H9912	6" Flanged - 3" Threaded Adapter	
2-92-H9911	6" Flanged - 4" Threaded Adapter	
2-92-01	Vacuum Breaker (For 8"-24" Tanks)	
2-92-02	Vacuum Breaker (For 30" Tank and Above)	



EMPTY CABINETS and SOFTENER SYSTEMS

EMPTY CABINETS

Stock Code	Product Descriptions	Capacity	Price
2-KAB-S1MIN	S1 Mini Cabinet	8x17"	
2-KAB-S1MAX	S1 Maxi Cabinet	10x35"	
2-KAB-S3MIN	S3 Mini Cabinet	8x17"	
2-KAB-S3MAX	S3 Maxi Cabinet	10x35"	
2-KAB-S4MIN	S4 Mini Cabinet	8x17"	
2-KAB-S4MAX	S4 Midi Cabinet	8x35"	
2-KAB-S1-KAPAK	S1 Cabinet Cover		
2-KAB-S3-KAPAK	S3 Cabinet Cover		
2-KAB-S4-KAPAK	S4 Cabinet Cover		



SOFTENER SYSTEMS

Stock Code	Product Descriptions	Resin	Tank	Size (mm)	Price
0-KAB-TC10-S1	S1 Mini Softener System	8	8x17	600 x 350 x 550	
0-KAB-TC30-S1	S1 Maxi Softener System	30	10x35	600 x 350 x 1100	
0-KAB-TC08-S3	S3 Mini Softener System	8	8x17	570 x 334 x 660	
0-KAB-TC25-S3	S3 Maxi Softener System	25	9x35	570 x 334 x 1120	
0-KAB-TC30-S3	S3 Maxi Softener System	30	10x35	570 x 334 x 1120	
0-KAB-TC08-S4	S4 Mini Softener System	8	8x17	440 x 225 x 640	
0-KAB-TC20-S4	S4 Midi Softener System	20	8x35	440 x 225 x 1110	

* Digital Valve Price Difference (+ 90 \$)

SOFTENER SYSTEMS

ASPEN - SOFTENER SYSTEMS

Stock Code	Product Descriptions	Resin	Connection	Capacity	Flow	max. Flow	Price
0-KAB-ASP-1017CS7	Aspen Mini Softener System	8	1"	48			
0-KAB-ASP-1035CS7	Aspen Maxi Softener System	25	1"	150	1 m³/h	1,5 m³/h	
0-KAB-DNV-0713CS8H	Denver Manuel Softener System						

	Denver	Aspen Mini	Aspen Maxi
Sizes	520 x 230 x 1170 mm	530 x 230 x 750 mm	520 x 360 x 1170 mm



STAINLESS STEEL TANK JACKET

JACKET		
Stock Code	Product Descriptions	Price
2-CAN-C-SS1035	10X35 Stainless Steel Jacket	
2-CAN-C-SS1054	10X54 Stainless Steel Jacket	



BRINE TANKS ACCESSORIES - CHLORINE TANKS

ACCESSORIES		
Stock Code	Product Descriptions	Price
7-9-TR-1	Brine Tank Union 1-2"	
1-91-01-60067	1600 Brine Float Valve	
1-91-01-25453	1700-2350 3/4" Brine Float Valve	
1-91-01-12794	3/8" Brine Elbow Plastic (1600)	
1-91-01-15413	3/4" Brine Elbow Plastic (1700)	
1-91-01-KIT57	1700 Brine Elbow Set	
1-91-01-KIT58	1800 Brine Elbow Set	
7-9-TH-10	Brine Pipe 10 mm.	
7-9-TH-12	Brine Pipe 12 mm.	



VENTURI		
Stock Code	Product Descriptions	Price
1-97-020-015-PP	3/8" PP Venturi (Injector)	
1-97-020-025-PP	3/4" PP Venturi (Injector)	
1-97-020-020-PP	1/2" PP Venturi (Injector)	
1-97-020-032-PP	1" PP Venturi (Injector)	
1-97-020-050-PP	1 1/2" PP Venturi (Injector)	
1-97-020-063-PP	2" PP Venturi (Injector)	
1-97-020-AKR	1/2" Acrylic Injector	
1-97-020-025-AKR	3/4" Acrylic Injector	
1-97-020-032-AKR	1" Acrylic Injector	



CHLORINE TANKS		
Stock Code	Product Descriptions	Price
7-2-0100	Chemical Tank 100 Lt.	
7-2-0200	Chemical Tank 200 Lt.	
7-2-0300	Chemical Tank 300 Lt.	



BRINE TANKS

LOCAL BRINE TANKS

Stock Code	Product Descriptions	Price
7-1-0400	Brine Tank 400 Lt.	
7-1-0500	Brine Tank 500 Lt.	
7-1-0750	Brine Tank 750 Lt.	
7-1-1000	Brine Tank 1000 Lt.	
7-1-1500	Brine Tank 1500 Lt.	
7-1-2000	Brine Tank 2000 Lt.	
7-1-5000	Brine Tank 5000 Lt.	
7-1-7500	Brine Tank 7500 Lt.	
7-1-10000	Brine Tank 10000 Lt.	



IMPORTED BRINE TANKS

Stock Code	Product Descriptions	Price
7-1-0070	Brine Tank - 70 Lt. Imported	
7-1-0100	Brine Tank - 100 Lt. Imported	
7-1-0145	Brine Tank - 145 Lt. Imported	
7-1-0200	Brine Tank - 200 Lt. Imported	
7-1-K070	Brine Tank - 70 Lt. Square Type	
7-1-K100	Brine Tank - 100 Lt. Square Type	
7-1-K140	Brine Tank - 140 Lt. Square Type	
7-1-0300	Brine Tank 300 Lt. Industrial	
7-1-0500	Brine Tank 500 Lt. Industrial	
7-1-0750	Brine Tank 750 Lt. Industrial	
7-1-O1000	Brine Tank 1000 Lt. Industrial	
7-1-O1500	Brine Tank 1500 Lt. Industrial	
7-1-O2000	Brine Tank 2000 Lt. Industrial	



MINERALS

ACTIVATED CARBON

Stock Code	Product Descriptions	Brand	Iodine	Package	Price
8-MIN-KAH01	Activated Carbon (Coal Based)	HYDROSAFE	600-800	25 Kg.	
8-MIN-KAH02	Activated Carbon (Coconut Based)	HYDROSAFE	900	25 Kg.	



RESIN

Stock Code	Product Descriptions	Brand	Package	Price
8-MIN-RENA02	Cationic Resin	HYDROSAFE	25 Lt.	
8-MIN-RENA01	Cationic Resin	AKUALITE	25 Lt.	
8-MIN-RENA04	Cationic Resin	DOWEX	25 Lt.	
8-MIN-REMI04	Mixed Bed Resin	PUROLITE	25 Lt.	
8-MIN-REMI05	Mixed Bed Resin	DOWEX	25 Lt.	
8-MIN-REMI02	Mixed Bed Resin	AKUALITE	25 Lt.	
8-MIN-RENA03	Deionized Cationic Resin	PUROLITE	25 Lt.	
8-MIN-REDI03	Deionized Anionic Resin	PUROLITE	25 Lt.	



FILTRATION MINERALS

Stock Code	Product Descriptions	Intended Use	Brand	Package	Price
8-MIN-G300	Birm	Iron Manganese	CLACK	28,3 Lt.	
8-MIN-G303	Aquamandix	Iron Manganese	AQUATECHNIEK	25 Kg.	
8-MIN-G301	Filter Ag	Filtration	CLACK	28,3 Lt.	
8-MIN-G304	Garnet	Filtration	CLACK	28,3 Lt.	
8-MIN-G306	Manganese Green Sand	AR-FE-MN	CLACK	25 Kg.	
8-MIN-G340	Anthracite	Filtration	HYDROSAFE	35 Lt.	
8-MIN-G310	Zeolite	Ammonium + Filtration	HYDROSAFE	25 Kg.	
8-MIN-G452	Quartz Sand	Filtration	HYDROSAFE	30 Kg.	
8-MIN-G308	Corosex	Ph Boosting	CLACK		
8-MIN-G412	Siliphos 10-20 mm/06-10 mm	Anti-Limescale	ITALY	25 Kg.	
8-MIN-G413	Siliphos (Ball Shaped)	Anti-Limescale	CHINA	25 Kg.	
8-MIN-G321	Dolomite Juraperle	Remineralization	AQUATECHNIEK	25 Kg.	
8-MIN-G323	Dolomite	Remineralization	HYDROSAFE	25 Kg.	



KITS and CHEMICALS

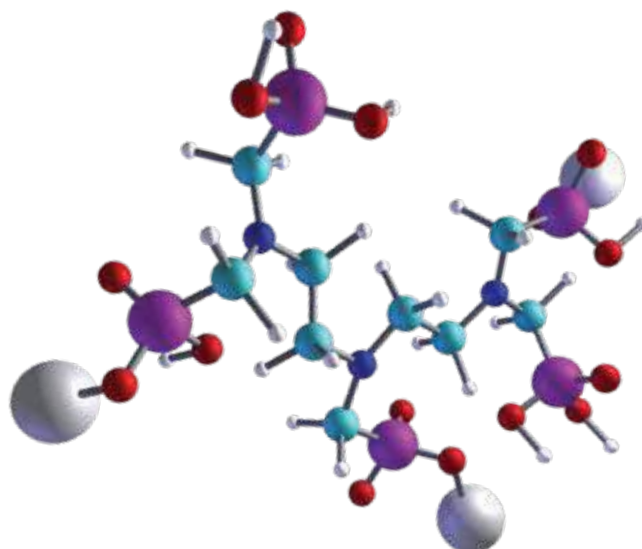
KITS

Stock Code	Product Descriptions	Brand	Package	Price
8-KIT-001	Hardness Test Kit	HYDROSAFE	Single Package	
8-KIT-002	Chlorine Test Kit	HYDROSAFE	Single Package	
8-KIT-006	Nitrite Test Kit	HYDROSAFE	Single Package	
8-KIT-008	Chloride Test Kit	HYDROSAFE	Single Package	
8-KIT-007	Ammonium Test Kit	HYDROSAFE	Single Package	
8-KIT-009	Alkaline Test Kit	HYDROSAFE	Single Package	
8-KIT-003	Ph Chlorine Test Kit	HYDROSAFE	Single Package	
8-KIT-005	Iron Test Kit	HYDROSAFE	Single Package	
8-KIT-004	Ph Test Kit (0 - 14)	MERCK	Single Package	



CHEMICALS

Stock Code	Product Descriptions	Brand	Package	Price
8-KIM-210	Hydrochloric Acid		25 Kg	
8-KIM-211	Liquid Caustic		25 Kg	
8-KIM-120	Sodium Metabisulphite		25 Kg	
8-KIM-150	Citric Acid		25 Kg	
8-KIM-155	Sodium Edta		25 Kg	
8-KIM-200	Aluminium Sulfate		25 Kg	
8-KIM-202	Iron (III) Chloride		25 Kg	
8-KIM-204	Anionic Polyelectrolyte		25 Kg	
8-KIM-6450	Tablet Salt	HYDROSAFE	25 Kg	
8-KIM-CL01	Liquid Chlorine (Hydrosafe)	HYDRODISINFECTER	35 Kg	
8-KIM-002	Chlorinedioxide	HYDRODISINFECTER	30 Kg	
8-KIM-ANOO1	Antiscalant	HYDRO-TREAT	30 Kg	
8-KIM-011	Biocide	HYDRO-TREAT	25 Kg	



FILTER HOUSINGS

FILTER HOUSINGS		
Stock Code	Product Descriptions	Price
5-5-61-30	10" Filter Housing 1/2"	
5-5-61-40	10" Filter Housing 3/4"	
5-5-61-50	10" Filter Housing 1"	
5-5-61-43	10" Filter Housing Dublex 3/4"	
5-5-61-53	10" Filter Housing Dublex 1"	
5-5-52-22	20" Filter Housing (White) 3/8" TRO	
5-5-52-23	20" Filter Housing (Transparent) 3/8" TRO	
5-90-008	RO Filter Housing Wrench	
5-FK-A-S3P-BFO-SX	10" Filter Housing 1" - Atlas Brand	
5-FK-A-M3P-BFO-SX	20" Filter Housing 1" - Atlas Brand	



BIGBLUE FILTER HOUSINGS			
Stock Code	Product Descriptions	Size	Price
5-5-51-56	10" BigBlue Filter Housing Blue	1"	
5-5-52-56	20" BigBlue Filter Housing Blue	1"	
5-5-52-76	20" BigBlue Filter Housing Blue	1 1/2"	



FILTER HOUSINGS			
Stock Code	Product Descriptions	Size	Price
6-9-001-1	Anti-Limescale (EMPTY)		
5-FK-51-12	10" Filter Housing White	1/4"	
5-FK-51-13	10" Filter Housing Transparent	1/4"	
5-FK-51-12-Y	10" Filter Housing White (Local)	1/4"	
5-FK-51-13-Y	10" Filter Housing Transparent (Local)	1/4"	



INDUSTRIAL FILTERS

CARBON FILTERS

Stock Code	Product Descriptions	Price
6-3-CTO10	10" CTO Blok Carbon Filter (Coal Based)	
6-3-CTO10-2	10" CTO Blok Carbon Filter (Coconut Based)	
6-3-CTO20	20" CTO Blok Carbon Filter (Coal Based)	
6-3-CTO20-2	20" CTO Blok Carbon Filter (Coconut Based)	
6-3-CTO10-BB	10" CTO BigBlue Carbon Filter	
6-3-CTO20-BB	20" CTO BigBlue Carbon Filter	
6-3-GAC10	10" GAC Carbon Filter (Coal Based)	
6-3-GAC10-2	10" GAC Carbon Filter (Coconut Based)	
6-3-GAC20	20" GAC Carbon Filter (Coal Based)	
6-3-GAC20-2	20" GAC Carbon Filter (Coconut Based)	
6-3-GAC10-BB	10" GAC BigBlue Carbon Filter	
6-3-GAC20-BB	20" GAC BigBlue Carbon Filter	



MELTBLOWN FILTERS

Stock Code	Product Descriptions	Price
6-1-05	5" Meltblown Filter	
6-1-10	10" Meltblown Filter	
6-1-20	20" Meltblown Filter	
6-1-30	30" Meltblown Filter	
6-1-40	40" Meltblown Filter	
6-1-10-BB	10" BigBlue Meltblown Filter	
6-1-20-BB	20" BigBlue Meltblown Filter	



PP FILTERS

Stock Code	Product Descriptions	Price
6-2-5-01	5" PP Filter	
6-2-10	10" PP Filter	
6-2-20	20" PP Filter	
6-2-30	30" PP Filter	
6-2-40	40" PP Filter	
6-2-10-BB	10" BigBlue PP Filter	
6-2-20-BB	20" BigBlue PP Filter	
6-2-10-05-EK170	10" PP Filter With Upper&Lower Caps	



FILTERONE FILTERS and CARTRIDGES

FILTERONE FILTERS

Stock Code	Product Descriptions	Length	Connection	Price
5-FO-F0PPF0N0123300FT	FILTERONE	23"	3" F	
5-FO-F0PPF0N0140300FT	FILTERONE	40"	3" F	



MELT BLOWN FILTERS

Stock Code	Product Descriptions	Length	Micron	Efficiency	Price
5-SFS-N95F0N2305F0NN	N95FON - Double Stage	23"	1-10 Mic.	95%	
5-SFS-N95F0N2305F0NN	N95FON - Double Stage	23"	5-20 Mic.	95%	
5-SFS-N95F0N2305F0NN	N95FON - Double Stage	23"	20-50 Mic.	95%	
5-SFS-N95F0N4005F0NN	N95FON - Double Stage	40"	1-10 Mic.	95%	
5-SFS-N95F0N4005F0NN	N95FON - Double Stage	40"	5-20 Mic.	95%	
5-SFS-N95F0N4005F0NN	N95FON - Double Stage	40"	20-50 Mic.	95%	



MELT BLOWN FILTERS

Stock Code	Product Descriptions	Length	Micron	Efficiency	Price
5-2-FAFON2305	FAFON	23"	5 Mic.	80%	
5-2-FAFON4005	FAFON	40"	5 Mic.	80%	

PLASTIC WASHABLE FILTERS

Stock Code	Product Descriptions	Length	Micron	Efficiency	Price
5-FO-RLA75FON2380	RLA75FON	23"	80 Mic.	75%	
5-FO-RLA75FON4080	RLA75FON	40"	80 Mic.	75%	



INDUSTRIAL FILTRATION

X-FLOW ULTRAFILTRATION

Stock Code	Product Descriptions	Price
	X-Flow Aquaflex 64 (Endcaps Including, Couplings Excluding)	
	X-Flow Aquaflex 64 (Endcaps Including, Couplings Including)	
	X-Line Rack 64 (Endcaps Including, Couplings Excluding)	
	X-Line Rack 64 (Endcaps Including, Couplings Excluding)	



ULTRAFILTRATION MEMBRANES

Stock Code	Product Descriptions	Surface Area m ²	Flow m ³	Material	Price
3-17-BT420	Mann Hummel Inner Filter	4,7	0,5	PAN	
3-17BT420	Mann Hummel (Filter Housing Including)	4,7	0,5	PAN	
3-17-94040	4" UF Membrane	6	0,6	PES	
3-17-M4040	Hydrosafe UF Membrane	4	0,4	PAN	
3-17-L650	Hydrosafe UF Membrane	11	1,1		
3-17-L1060	Hydrosafe UF Membrane	40	4		



HYDROLINE FRP HOUSING

Stock Code	Product Descriptions	Material	Outer Diameter	Connection	Operational Pres.	Price
3-17-MF-8040	MF-8040	FRP/PVC	8"	3" (DN80)	<50 psi	
5-HPCF-HPF40	HPF-40	PVC	8"	2" (DN50)	<100 psi	
5-HPCF-HPF60	HPF-60	PVC	8"	2" (DN50)	<100 psi	



HIGH FLOW FILTERS

Stock Code	Product Descriptions	Micron	Length	Price
3-17-MFH-C10-4-ESN	MFH-C10-4-ESN	1 µm	40" (1016 mm)	
3-17-MFH-C50-4-ESN	MFH-C50-4-ESN	5 µm	40" (1016 mm)	
5-HFCFC-HPF40	HPF-40	1-10 µm	40" (1016 mm)	
5-HFCFC-HPF60	HPF-60	1-10 µm	60" (1524 mm)	



HYDROLINE HIGH FLOW FILTRATION SYSTEMS

Stock Code	Product Descriptions	Flow m ³ /d	Number of Filter	Frame	Borulama	Connection (DN-mm)	Price
3-17-HSF-50H	HSF-50H	50	1	Carbon Steel/Spray Plastic	UPVC	80	
3-17-HSF-100H	HSF-100H	100	2	Carbon Steel/Spray Plastic	UPVC	100	
3-17-HSF-200H	HSF-200H	200	4	Carbon Steel/Spray Plastic	UPVC	150	
3-17-HSF-300H	HSF-300H	300	6	Carbon Steel/Spray Plastic	UPVC	200	



INDUSTRIAL FILTERS SYSTEMS

HYDROSFS CARTRIDGE FILTERS

Stock Code	Product Descriptions	Flow m³/h	In - Out	Size	Qty.	Price
5-SFS-303	HydroSFS 303	9	2"	30"	3	
5-SFS-403	HydroSFS 403	12	2"	40"	3	
5-SFS-305	HydroSFS 305	15	2"	30"	5	
5-SFS-405	HydroSFS 405	20	2"	40"	5	
5-SFS-307	HydroSFS 307	21	2"	30"	7	
5-SFS-407	HydroSFS 407	28	2"	40"	7	
5-SFS-310	HydroSFS 310	30	DN100	30"	10	
5-SFS-410	HydroSFS 410	40	DN100	40"	10	
5-SFS-416	HydroSFS 416	64	DN100	40"	16	
5-SFS-422	HydroSFS 422	88	DN100	40"	22	



TECHNICAL SPECIFICATIONS

Operating Pressure Max. 8 Bar

Body AISI 304

HYDROSFS CLAMP-IN CARTRIDGE FILTERS

Stock Code	Product Descriptions	Flow m³/h	In - Out	Size	Qty.	Price
5-SFS-C203	Hydro SFS 203 Clamp-In	6	2"	20"	3	
5-SFS-C303	Hydro SFS 303 Clamp-In	9	2"	30"	3	
5-SFS-C305	Hydro SFS 305 Clamp-In	15	2"	30"	5	
5-SFS-C403	Hydro SFS 403 Clamp-In	12	2"	40"	3	
5-SFS-C405	Hydro SFS 405 Clamp-In	20	2"	40"	5	



TECHNICAL SPECIFICATIONS

Operating Pressure Max. 5 Bar

Body AISI 304

HYDROSEP SEPERATOR FILTERS

Stock Code	Product Descriptions	Flow m³/h	In - Out	Price
5-SEP-20-P	Hydrosep-20 Stainless Steel Filter	2 - 7,5	3/4"	
5-SEP-25-P	Hydrosep-25 Stainless Steel Filter	6 - 11	1"	
5-SEP-32-P	Hydrosep-32 Stainless Steel Filter	10 - 16	1 1/4"	
5-SEP-40-P	Hydrosep-40 Stainless Steel Filter	14 - 18	1 1/2"	
5-SEP-50-P	Hydrosep-50 Stainless Steel Filter	17 - 24	2"	
5-SEP-65-P	Hydrosep-65 Stainless Steel Filter	22 - 35	2 1/2"	
5-SEP-80-P	Hydrosep-80 Stainless Steel Filter	35 - 66	3"	
5-SEP-100-P	Hydrosep-100 Stainless Steel Filter	64 - 110	4"	
5-SEP-OBÜ	Automatic Blowing Unit			



TECHNICAL SPECIFICATIONS

Operating Pressure Max. 8 Bar

Stainless Steel Frame

INDUSTRIAL FILTERS SYSTEMS

HYDROSFS PVC FILTERS

Stock Code	Product Descriptions	Flow m³/h	In - Out	Size	Qty.	Price
5-SFS-PP205	Hydro PVC 205	8	2"	20"	5	
5-SFS-PP305	Hydro PVC 305	12	2"	30"	5	
5-SFS-PP405	Hydro PVC 405	20	2"	40"	5	
5-SFS-PP309	Hydro PVC 309	27	3"	30"	9	
5-SFS-PP409	Hydro PVC 409	36	3"	40"	9	

TECHNICAL SPECIFICATIONS

Operating Pressure Max. 4 Bar

PVC Body



HYDROBAG BAG FILTRATION SYSTEMS

Stock Code	Product Descriptions	In - Out	Size	Price
5-BAG-732-10-Y	HydroBAG 732 (8-10 bar)(Local)	2"	32"	
5-BAG-732-10	HydroBAG 732 (8-10 bar)	2"	32"	
5-BAG-732-16	HydroBAG 732 (16 bar)	2"	32"	
6-7-30	Bag Filter			

TECHNICAL SPECIFICATIONS

Operating Pressure Max. 4 Bar

Stainless Steel Frame



HFT PVC BAG FILTERS

Stock Code	Product Descriptions	In - Out	Size	Price
5-BAG-PP717	HydroBAG PVC 717	2"	17"	
5-BAG-PP732	HydroBAG PVC 732	2"	32"	

TECHNICAL SPECIFICATIONS

Operating Pressure Max. 4 Bar

PVC Body



DOSAGE PUMPS

SEKO MS SERIES - MECHANICAL DIAPHRAGM DOSAGE PUMPS

Stock Code	Product Descriptions	kW	Connection	Price
4-5-6-MS0F050E51	15 lt/s, 5 bar, PP Diaphragm Dosage Pump	0,09	3/4"	
4-5-6-MS0F050F51	30 lt/s, 5 bar, PP Diaphragm Dosage Pump	0,09	3/4"	
4-5-6-MS0F050C51	42 lt/s, 5 bar, PP Diaphragm Dosage Pump	0,09	3/4"	
4-5-6-MS0F050E21	15 lt/s, 5 bar, SS316 Diaphragm Dosage Pump	0,09	1/2"	
4-5-6-MS0F050F21	30 lt/s, 5 bar, SS316 Diaphragm Dosage Pump	0,09	1/2"	
4-5-6-MS0F050C21	42 lt/s, 5 bar, SS316 Diaphragm Dosage Pump	0,09	1/2"	
4-5-6-MS1A094A51	20 lt/s, 10 bar, PP Diaphragm Dosage Pump	0,25	3/8"	
4-5-6-MS1A094C51	40 lt/s, 10 bar, PP Diaphragm Dosage Pump	0,25	3/8"	
4-5-6-MS1B108A51	60 lt/s, 10 bar, PP Diaphragm Dosage Pump	0,37	3/8"	
4-5-6-MS1B108B51	80 lt/s, 10 bar, PP Diaphragm Dosage Pump	0,37	3/8"	
4-5-6-MS1B108C51	120 lt/s, 10 bar, PP Diaphragm Dosage Pump	0,37	3/8"	
4-5-6-MS1C138A51	155 lt/s, 7 bar, PP Diaphragm Dosage Pump	0,37	3/4"	
4-5-6-MS1C138B51	220 lt/s, 7 bar, PP Diaphragm Dosage Pump	0,37	3/4"	
4-5-6-MS1C138C51	310 lt/s, 7 bar, PP Diaphragm Dosage Pump	0,37	1"	
4-5-6-MS1C165C51	500 lt/s, 3 bar, PP Diaphragm Dosage Pump	0,37	1"	
4-5-6-MS1A094A52	20 lt/s, 10 bar, PP Diaphragm Dosage Pump	0,25	3/8"	
4-5-6-MS1A094C52	40 lt/s, 10 bar, PP Diaphragm Dosage Pump	0,25	3/8"	
4-5-6-MS1B108A52	60 lt/s, 10 bar, PP Diaphragm Dosage Pump	0,37	3/8"	
4-5-6-MS1B108B52	80 lt/s, 10 bar, PP Diaphragm Dosage Pump	0,37	3/8"	
4-5-6-MS1B108C52	120 lt/s, 10 bar, PP Diaphragm Dosage Pump	0,37	3/8"	
4-5-6-MS1C138A52	155 lt/s, 7 bar, PP Diaphragm Dosage Pump	0,37	3/4"	
4-5-6-MS1C138B52	220 lt/s, 7 bar, PP Diaphragm Dosage Pump	0,37	3/4"	
4-5-6-MS1C138C52	310 lt/s, 7 bar, PP Diaphragm Dosage Pump	0,37	1"	
4-5-6-MS1C165C52	500 lt/s, 7 bar, PP Diaphragm Dosage Pump	0,37	1"	



DOSAGE PUMPS

INVIKTA KCL SERIES

Stock Code	Product Descriptions	Capacity	Pressure	Price
4-DOZ-SEKO-KCL632	632 On/Off Contolled,Level Control, Ip65, Ptfе Diaphragm, Pvc Head, Pvc Suction Kit Including	2	7	
4-DOZ-SEKO-KCL633	633 On/Off Contolled,Level Control, Ip65, Ptfе Diaphragm, Pvc Head, Pvc Suction Kit Including	5	5	
4-DOZ-SEKO-KCL630	630 On/Off Contolled,Level Control, Ip65, Ptfе Diaphragm, Pvc Head, Pvc Suction Kit Including	0,6	7	



KOMPACT SERIES ANALOG PUMP

Stock Code	Product Descriptions	Capacity	Pressure	Price
4-DOZ-SEKO-AML200	AML200 On/Off Contolled,Level Control, Ip65, Ptfе Diaphragm, Pvc Head, Pvc Suction Kit Including	5/3	8/10	
4-DOZ-SEKO-DPT200	DPT200 On/Off Contolled,Level Control, Ip65, Ptfе Diaphragm, Pvc Head, Pvc Suction Kit Including	5/3	8/10	
4-DOZ-SEKO-DRP200	DRP 200* On/Off Contolled,Level Control, Ip65, Ptfе Diaphragm, Pvc Head, Pvc Suction Kit Including	5/3	8/10	



TEKNAEVO AKS SERIES

Stock Code	Product Descriptions	Capacity	Pressure	Price
4-DOZ-SEKO-AKS603	603 On/Off Contolled, Ip65, Ptfе Diaphragm, Pvc Head, Pvc Suction Kit Including	4 5 6 8	12 10 8 2	
4-DOZ-SEKO-AKS803	803 On/Off Contolled, Ip65, Ptfе Diaphragm, Pvc Head, Pvc Suction Kit Including	20 25 38 54	5 4 2 0,1	

TEKNAEVO AKL SERIES

Stock Code	Product Descriptions	Capacity	Pressure	Price
4-DOZ-SEKO-AKL603	603 On/Off Contolled,Level Control, Ip65, Ptfе Diaphragm, Pvdf Head, Pvdf Suction Kit Including	4 5 6 8	12 10 8 2	
4-DOZ-SEKO-AKL803	803 On/Off Contolled,Level Control, Ip65, Ptfе Diaphragm, Pvdf Head, Pvdf Suction Kit Including	20 25 38 54	5 4 2 0,1	

PH and ORP CONTROLLED TEKNAEVO TPR SERIES

Stock Code	Product Descriptions	Capacity	Pressure	Price
4-DOZ-SEKO-TPR603	603 Including Ph / Redoks Contolled Digital Dosage Pump,4-20 Ma Out, Level Control, Ip65, Ptfе Diaphragm, Pvdf Head, Pvdf Suction Kit	4 5 6 8	12 10 8 2	
4-DOZ-SEKO-TPR803	803 Including Ph / Redoks Contolled Digital Dosage Pump,4-20 Ma Out, Level Control, Ip65, Ptfе Diaphragm, Pvdf Head, Pvdf Suction Kit	20 25 38 54	5 4 2 0,1	



DOSAGE PUMPS SPARE PARTS and ACCESSORIES

SEKO DOSAGE PUMP SPARE PARTS and ACCESSORIES

Stock Code	Product Descriptions	Price
4-6-9-9900105002	9900105002 SPH-1-S-6 pH Electrode	
4-6-9-9900105032	9900105032 SRH1-PT-S 6 ORP Electrode	
4-6-9-9900106670	9900106670 PSS3- Pipe Type Sensor	
4-6-9-9900103021	9900103021 PSS7-Single - 3Way Sensor	
4-6-9-9900100111	9900100111 PI-PVC 400-Submerged Type Sensor 400mm	
4-6-9-9900100112	9900100112 PI-PVC 800-Submerged Type Sensor 800mm	
4-6-9-9900101103	9900101103 CTK-10 Conductivity Probe, Heating Sensor - C=0,1 cm-1 K=10 cm, Max Temperature=100°C Body:PP, Electrode:SS 316, IP65 Montage: 3/4" G.M.	
4-6-9-9900101102	9900101102 CTK-5 Conductivity Probe, Heating Sensor - C=0,2 cm-1 K=5 cm, Max Temperature=100°C Body:PP, Electrode:SS 316, IP65 Montage: 3/4" G.M.	
4-6-9-9900101101	9900101101 CTK-1 Conductivity Probe, Heating Sensor - C=1 cm-1 K=1 cm, Max Temperature=100°C Body:PP, Electrode:SS 316, IP65 Montage: 3/4" G.M.	
4-6-9-9900110111	9900110111 CC-5 Cable With Connector, Length:5M	
4-6-9-9900110112	9900110112 CC-10 Cable With Connector, Length:10 M	
4-6-9-9900110113	9900110113 CC-15 Cable With Connector, Length:15 M	
4-6-9-9900317011	9900317011 Sfw-1 Epdm Flow Sensor 5÷24vacc, Ip65, Body Cpvc	
4-6-9-9900317013	9900317013 Sfw-2 Epdm Flow Sensor 5÷24vacc, Ip65, Body Cpvc	
4-6-9-9900316024	9900316024 T1- PVC-L-SWP Turbidity Probe(0÷40 FTU/NTU Range) 5 Meters Cable	
4-6-9-9900316021	9900316021 T1- PVC- Sensor Turbidity Probe(0÷100 FTU/NTURange) 5 m. Cable	
4-6-9-9900316022	9900316022 T2 Suspendet Solid FTU Turbidity Probe(0÷4000FTU/NTURange) 10 Mt. Cable	
4-6-9-SEKO PCL	SEKO PCL Seko Chlorine Prob 0÷5/0÷10Ppm	



DOSAGE PUMPS SPARE PARTS AND ACCESSORIES

SEKO DOSAGE PUMP SPARE PARTS AND ACCESSORIES

Stock Code	Product Descriptions	Price
4-6-9-9900107132	9900107121 TEKNOEVO Suction - Compression Kit (500-600-683-800)	
4-6-9-9900107158	9900107158 AKS603 * PVC Compression Check Valve,	
4-6-9-EM99106434	EM99106434 AKS603 * Elektronik Card	
4-6-9-EM9900050009	EM9900050009 AKS603 * Pump Diaphragm	
4-6-9-EM99070105	EM99070105 AKS603 * Compression - Suction Check Valve Set	
4-6-9-9900090088	9900090088 PVC (Suction)- Pump Pipe,100 mt	
4-6-9-9900090089	9900090089 PE (Compression)- Pump Pipe,100 mt	
4-6-9-EM99106430	EM99106430 APG603 Elektronik Card	
4-6-9-EM99106536	EM99106536 TPR603 Elektronik Card	
4-6-9-EM99106500	EM99106500 Fitting Kit(Pipe Holder, Pipe Clamp and Ring Nut)	
4-6-9-EM99106309	EM99106309 KCL Montage Kit, Suction Filter , Compression Inj. and Pipes	
4-6-9-EM99070063	EM99070063 KCL Suction and Compression Check Valve	
4-6-9-EM99106341	EM99106341 KCL Diaphragm	
4-6-9-EM99106342	EM99106342 KCL 632 Elektronik Card	
4-6-9-EM99106305	EM99106305 KCL633 Elektronik Card	
4-6-9-9900102001	9900102001 50cc PH4 Solution	
4-6-9-9900102002	9900102002 50cc PH7 Solution	
4-6-9-9900102004	9900102004 50cc MV465 Solution (ORP)	
4-6-9-EM99121000	EM99121000 Level Sensor (Level Probe)	
4-6-9-9900100073	9900100073 Level Sensor Pipe Type (Level Probe) 450x22mm	
4-6-9-EM99106628	EM99106628 Fixed Back Pressure Valve - 1,5 Bar- PVDF	
4-6-9-EM99106171	EM99106171 Priming Aid	



HIGH PRESSURE PUMPS CDLF - CDL SERIES

2 SERIES

Stock Code	Product Descriptions	kW	hp	1	1,2	1,6	Flow 2	2,4	2,8	3,2	CDLF Price	CDL Price
8-P-CNP-CDLF / CDL2-11	CDLF / CDL2-11	1,1	1,5	99	95	90	82	76	65	58		
8-P-CNP-CDLF / CDL2-13	CDLF / CDL2-13	1,5	2	116	114	106	98	89	78	65		
8-P-CNP-CDLF / CDL2-15	CDLF / CDL2-15	1,5	2	134	130	123	112	100	90	73		
8-P-CNP-CDLF / CDL2-18	CDLF / CDL2-18	2,2	3	161	157	148	121	121	108	91		

3 SERIES

Stock Code	Product Descriptions	kW	hp	1,2	1,6	2	Flow 2,4	2,8	3	3,2	CDLF Price	CDL Price
8-P-CNP-CDLF / CDL3-27	CDLF / CDL3-27	2,2	3	164	159	152	143	132	124	117		

4 SERIES

Stock Code	Product Descriptions	kW	hp	1,5	2	3	Flow 4	5	6	7	CDLF Price	CDL Price
8-P-CNP-CDLF / CDL4-8	CDLF / CDL4-8	3	2	78	73	69	64	56	49			
8-P-CNP-CDLF / CDL4-12	CDLF / CDL4-12	3	2	114	108	104	95	85	75	58		
8-P-CNP-CDLF / CDL4-14	CDLF / CDL4-14	3	2	136	126	122	112	101	89	69		
8-P-CNP-CDLF / CDL4-16	CDLF / CDL4-16	3	3	152	144	140	129	115	101	78		

8 SERIES

Stock Code	Product Descriptions	kW	hp	6	7	Flow 8	9	10	CDLF Price	CDL Price
8-P-CNP-CDLF / CDL8-6	CDLF / CDL8-6	2,2	3	60	57	54	51	48		
8-P-CNP-CDLF / CDL8-12	CDLF / CDL8-12	4	5,5	120	116	111	104	92		
8-P-CNP-CDLF / CDL8-14	CDLF / CDL8-14	5,5	7,5	141	136	130	122	113		
8-P-CNP-CDLF / CDL8-16	CDLF / CDL8-16	5,5	7,5	161	156	148	139	130		

12 SERIES

Stock Code	Product Descriptions	kW	hp	8	10	Flow 12	14	16	CDLF Price	CDL Price
8-P-CNP-CDLF / CDL12-10	CDLF / CDL12-10	7,5	10	118	111	101	88	72		
8-P-CNP-CDLF / CDL12-12	CDLF / CDL12-12	7,5	10	141	133	121	106	86		
8-P-CNP-CDLF / CDL12-14	CDLF / CDL12-14	11	15	165	155	141	124	100		

20 SERIES

Stock Code	Product Descriptions	kW	hp	16	18	Flow 20	22	24	CDLF Price	CDL Price
8-P-CNP-CDLF / CDL20-10	CDLF / CDL20-10	11	15	128	124	118	111	103		
8-P-CNP-CDLF / CDL20-12	CDLF / CDL20-12	15	15	154	149	142	133	121		

32 SERIES

Stock Code	Product Descriptions	kW	hp	24	28	Flow 32	36	40	CDLF Price	CDL Price
8-P-CNP-CDLF / CDL32-80	CDLF / CDL32-80	15	20	130	120	109	97	77		

42 SERIES

Stock Code	Product Descriptions	kW	hp	30	35	Flow 42	45	50	CDLF Price	CDL Price
8-P-CNP-CDLF / CDL42-60	CDLF / CDL42-60	22	30	138	132	122	116	106		
8-P-CNP-CDLF / CDL42-70	CDLF / CDL42-70	30	40	161	154	142	135	124		

HIGH PRESSURE PUMPS CDLF - CDL SERIES

65 SERIES

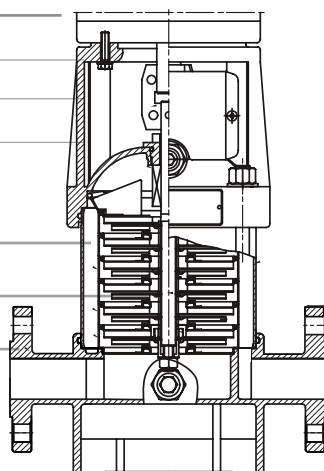
Stock Code	Product Descriptions	kW	hp	Flow					CDLF Price	CDL Price
				40	50	60	65	70		
8-P-CNP-CDLF / CDL65-60-1	CDLF / CDL65-60-1	37	50	149	138	125	117	108		

85 SERIES

Stock Code	Product Descriptions	kW	hp	Flow					CDLF Price	CDL Price
				70	80	85	90	100		
8-P-CNP-CDLF / CDL85-50	CDLF / CDL85-50	37	50	124	115	110	106	94		

	CDL	CDLF
Body	304 SS	304 SS
FAN	304 SS	304 SS
IN - OUT	Cast Iron	AISI 304
ELECTRIC	380 V.	380 V.

Body
FAN
IN-OUT



CHL - CHLF SERIES

2 SERIES

Stock Code	Product Descriptions	kW	hp	Flow						220 V Price	380 V Price	
				0,5	1	1,5	2	2,5	3			3,5
8-P-CNP-CHL2-40	CHL2-40	0,55	0,75	36	34,5	33	29	25	20,5	16		
8-P-CNP-CHL2-50	CHL2-50	0,55	0,75	45,5	43	40	36	31,5	26,5	20,5		
8-P-CNP-CHL2-60	CHL2-60	0,75	1	53,5	51	48	44	39	32	24		

12 SERIES

Stock Code	Product Descriptions	kW	hp	Flow					380 V Price		
				7	8	9	10	11		12	13
8-P-CNP-CHL12-30	CHL12-30	1,8	2,4	35	34,5	33,5	32,5	31	29,5	28	
8-P-CNP-CHL12-40	CHL12-40	2,4	3,3	47	46	45	43,5	41,5	39,5	37,5	
8-P-CNP-CHL12-50	CHL12-50	3	4	60	58	56,5	55	52,5	50	47	

20 SERIES

Stock Code	Product Descriptions	kW	hp	Flow					380 V Price		
				10	12	14	16	18		20	22
8-P-CNP-CHL20-30	CHL20-30	4	5,5	39,5	39	38	37,5	35,5	34	31,5	

4/40 SERIES

Stock Code	Product Descriptions	kW	hp	Flow					220 V Price	380 V Price	
				1	2	3	4	5			6
8-P-CNP-CHLF(T)4-40	CHLF(T)4-40	0,75	1	37,5	36	34	31	27	23	19	
8-P-CNP-CHLF(T)4-50	CHLF(T)4-50	1,1	1,5	47	45	42,5	39	34	29	23	
8-P-CNP-CHLF(T)4-60	CHLF(T)4-60	1,1	1,5	56	54	51	47	41,5	35,5	28	

ULTRAVIOLET SYSTEMS

HYDROLIGHT ULTRAVIOLET SYSTEM

Stock Code	Product Descriptions	Connection	Capacity	Lamp	Energy	Adapter & Stn. Panel Price	Prm. Panel Price
4-UV-SIS-0.2	HydroLight-0.2	1/4"	0,2	1	8		
4-UV-SIS-1.5	HydroLight-1.5	1"	1,5	1	30		
4-UV-SIS-3	HydroLight-3	1"	3	1	40		
4-UV-SIS-5	HydroLight-5	1"	5	1	65		
4-UV-SIS-10	HydroLight-10	1 1/2"	10	2	80		
4-UV-SIS-15	HydroLight-15	2"	15	3	120		
4-UV-SIS-20	HydroLight-20	2"	20	4	160		
4-UV-SIS-30	HydroLight-30	2 1/2"	30	6	240		
4-UV-SIS-40	HydroLight-40	3"	40	8	320		
4-UV-SIS-50	HydroLight-50	3"	50	10	400		
4-UV-SIS-60	HydroLight-60	4"	60	12	480		
4-UV-SIS-80	HydroLight-80	4"	80	16	640		



* Stainless Steel AISI 304 Body

* Operational LED Lights

* Operating Pressure 10 bar

* On/Off

* Timer Panel Price Difference 20,00 €

HYDROLIGHT UV LAMP

Stock Code	Product Descriptions	Power (watt)	Price
4-UV-L-H212	GPH212 Ultraviolet Lamp	10	
4-UV-L-H287	GPH287 Ultraviolet Lamp	14	
4-UV-L-H357	GPH357 Ultraviolet Lamp	17	
4-UV-L-H436	GPH436 Ultraviolet Lamp	21	
4-UV-L-H450	GPH450 Ultraviolet Lamp	21	
4-UV-L-H463	GPH463 Ultraviolet Lamp	22	
4-UV-L-H793	GPH793 Ultraviolet Lamp	38	
4-UV-L-H843	GPH843 Ultraviolet Lamp	41	
4-UV-L-H843-65	GPH843 Ultraviolet Lamp	65	
4-UV-L-H1149	GPH1149 Ultraviolet Lamp	55	
4-UV-L-H1459	GPH1459 Ultraviolet Lamp	75	
4-UV-L-H1554-250	Amalgam 1554 UV Lamp	250	



UV LAMP - QUARTZ and ACCESSORIES

LIGHTTECH UV LAMP

Stock Code	Product Descriptions	Power (watt)	Price
4-UV-L212	Lighttech GPH 212 T5/L UV Lamp	10	
4-UV-L450	Lighttech GPH 450 T5/L UV Lamp	21	
4-UV-L793	Lighttech GPH 793 T5/L UV Lamp	38	
4-UV-L846	Lighttech GPH 846 T5/L UV Lamp	41	
4-UV-L846 HO	Lighttech GPH 846 T5/L HO UV Lamp	65	



ULTRAVIOLET SPARE PARTS

Stock Code	Product Descriptions	Power (watt)	Price
4-UV-YED-002	UV Quartz O-Ring		
4-UV-YED-006	UV Cable Socket		
4-UV-YED-001	UV Union Metal		
4-UV-YED-003	UV Timer		
4-8-400	Ultraviolet MK Ballast	25 - 40 - 55	

QUARTZ SLEEVE

Stock Code	Product Descriptions	Price
4-UV-C-2023-260-1	20 23 260 Quartz Sleeve Domed	
4-UV-C-2023-495-1	20 23 495 Quartz Sleeve Domed / Open	
4-UV-C-2023-900-1	20 23 900 Quartz Sleeve Domed / Open	
4-UV-C-2023-1159-1	20 23 1159 Quartz Sleeve Open	
4-UV-C-2023-1564-1	20 23 1564 Quartz Sleeve Open	
4-UV-C-2832-450-2	28 32 450 Quartz Sleeve Domed	
4-UV-C-2832-900-2	28 32 900 Quartz Sleeve Domed	
4-UV-C-2831-1620	Amalgam 28x31x1620 Quartz	



ULTRAVIOLET CONTROL PANEL

Stock Code	Product Descriptions	Power (watt)	Price
4-UV-A-A06	UV Adapter	6	
4-UV-A-A16	UV Adapter	16	
4-UV-A-A25	UV Adapter	25	
4-UV-A-A40	UV Adapter	40	
4-UV-A-A55	UV Adapter	55	
4-UV-A-EB-200-320	Amalgam Adapter	200-320	
4-UV-A-P1	UV Panel Single	55	
4-UV-A-P2	UV Panel Double	110	
4-UV-A-P3	UV Panel Triple	165	
4-UV-A-P4	UV Panel Quatro	220	
4-UV-A-P5	UV Panel Cinque	275	
4-UV-A-P6	UV Panel Sestet	330	



MEMBRANES

STANDARD MEMBRANES

Stock Code	Product Descriptions	Inch	Brine Removing %	GPD	Spacer	Psi (MPA)	PPM	Price
3-1C-2540-BE	RE2540-BE	2.5"	99.70	3.02	28	225(1.55)	2000	
3-1C-4021-BE	RE4021-TE	4"	99.70	3.9		225(1.55)	2000	
3-1C-4040-BE	RE4040-BE	4"	99.70	9.08	32	225(1.55)	2000	
3-1C-8040-BE34	RE8040-BE	8"	99.70	39.75	32	225(1.55)	2000	
3-1C-8040-BE440	RE8040-BE440	8"	99.70	43.50	28	225(1.55)	2000	

LOW PRESSURE MEMBRANES

Stock Code	Product Descriptions	Inch	Brine Removing %	GPD	Spacer	Psi (MPA)	PPM	Price
3-1C-2540-BLN	RE2540-BLN	2.5"	99.20	3.02	28	150(1.03)	1500	
3-1C-4021-TL	RE4021-TL	4"	99.20	3.97		150(1.03)	1500	
3-1C-4040-BLN	RE4040-BLN	4"	99.20	9.80	32	150(1.03)	1500	
3-1C-4040-BLR	RE4040-BLR	4"	99.60	7.20	32	150(1.03)	1500	
3-1C-8040-BLN	RE8040-BLN	8"	99.20	45.40	32	150(1.03)	1500	
3-1C-8040-BLN440	RE8040-BLN440	8"	99.20	49.20	28	150(1.03)	1500	

ULTRA LOW PRESSURE MEMBRANES

Stock Code	Product Descriptions	Inch	Brine Removing %	GPD	Spacer	Psi (MPA)	PPM	Price
3-1C-4040-BLF	RE4040-BLF	4"	99.20	9.40		100(0.69)	500	
3-1C-8040-BLF	RE8040-BLF	8"	99.20	43.50	32	100(0.69)	500	

LOW FOULING MEMBRANES

Stock Code	Product Descriptions	Inch	Brine Removing %	GPD	Spacer	Psi (MPA)	PPM	Price
3-1C-4040-FL	RE4040-FLR	4"	99.00	9.08		150(1.03)	1500	
3-1C-8040-FEN	RE8040-FEN34	8"	99.70	39.75	34	225(1.55)	2000	
3-1C-8040-FL	RE8040-FL	8"	99.20	41.6	32	150(1.03)	1500	

CHLORINE RESISTANCE MEMBRANES

Stock Code	Product Descriptions	Inch	Brine Removing %	GPD	Spacer	Psi (MPA)	PPM	Price
3-1C-4040-CE	RE4040-CE	4"	99.00	8.6	32	225(1.55)	2000	
3-1C-8040-CE	RE8040-CE	8"	99.00	45.4	32	225(1.55)	2000	

NANOFILTRATION MEMBRANES

Stock Code	Product Descriptions	Inch	Brine Removing %	GPD	Price
3-1C-4040-90	NE4040-90	4"	85-95	6.05	
3-1C-4040-70	NE4040-70	4"	40-70	5.67	
3-1C-8040-90	NE8040-90	8"	85-95	28.30	
3-1C-8040-70	NE8040-70	8"	40-70	26.40	

SEA WATER MEMBRANES

Stock Code	Product Descriptions	Inch	Brine Removing %	GPD	Psi (MPA)	PPM	Price
3-1C-2521-SHN	RE2521-SHN	2.5"	99-75	300(1,1)	800	32000	
3-1C-2540-SHN	RE2540-SHN	2.5"	99-75	500(1,9)	800	32000	
3-1C-4021-SHN	RE4021-SHN	4"	99-75	600(2,3)	800	32000	

MEMBRANES

LP SERIES - STANDARD MEMBRANES

Stock Code	Product Descriptions	%	GPD	Psi (MPA)	ppm	Price
3-1V-4040-LP21	LP21-4040	99.6	2400(9.1)	225(1.55)	2000	
3-1V-8040-LP22	LP22-8040	99.5	10500(39.7)	225(1.55)	2000	

ULP SERIES - LOW PRESSURE MEMBRANES

Stock Code	Product Descriptions	%	GPD	Psi (MPA)	ppm	Price
3-1V-2521-ULP21	ULP21-2521	99.0	300(1.13)	150(1.03)	1500	
3-1V-2540-ULP21	ULP21-2540	99.0	750(2.84)	150(1.03)	1500	
3-1V-4021-ULP21	ULP21-4021	99.0	950(3.6)	150(1.03)	1500	
3-1V-4040-ULP21	ULP21-4040	99.0	2400(9.1)	150(1.03)	1500	
3-1V-8040-ULP22	ULP22-8040	99.0	12100(45.7)	150(1.03)	1500	

XLP SERIES - ULTRA LOW PRESSURE MEMBRANES

Stock Code	Product Descriptions	%	GPD	Psi (MPA)	ppm	Price
3-1V-440-XLP11	XLP11-4040	98.0	2000(7.6)	100(0.69)	500	

SW SERIES - SEA WATER MEMBRANES

Stock Code	Product Descriptions	%	GPD	Psi (MPA)	ppm	Price
3-1V-2521-SW11	SW11-2521	99.2	200 (0,76)	800(5.5)	32800	
3-1V-2540-SW11	SW11-2540	99.2	500 (1,89)	800(5.5)	32800	
3-1V-4021-SW11	SW11-4021	99.2	750 (2,8)	800(5.5)	32800	
3-1V-4040-SW21	SW21-4040	99.5	1400 (5,3)	800(5.5)	32800	
3-1V-8040-SW22	SW22-8040	99.7	6000 (22,7)	800(5.5)	32800	
3-1V-8040-SW21	SW21-8040	99.7	5000 (18,9)	800(5.5)	32800	

FR SERIES - LOW FOULING MEMBRANES

Stock Code	Product Descriptions	%	GPD	Psi (MPA)	ppm	Price
3-1V-4040-FR11	FR11-4040	99.5	2200(8.3)		2000	
3-1V-8040-FR11	FR11-8040	99.5	9600(36.3)		2000	

HFT SERIES - STANDARD MEMBRANES

Stock Code	Product Descriptions	Price
3-1HFT-LP2521	LP21-2521	
3-1HFT-LP2540	LP21-2540	
3-1HFT-LP4021	LP21-4021	
3-1HFT-LP4040	LP21-4040	
3-1HFT-LP8040	LP22-8040	

MEMBRANES

STANDARD MEMBRANES

Stock Code	Product Descriptions	Inch	Brine Removing %	GPD	Spacer	Psi (MPA)	PPM	Price
3-1T- TM710D	TM710D	4"	99.8	9.8	31	225(1.55)	2000	
3-1T- TM720D-400	TM720D-400	8"	99.8	41.6	34	225(1.55)	2000	
3-1T- TM720D-440	TM720D-440	8"	99.8	45.8	28	225(1.55)	2000	

LOW PRESSURE MEMBRANES

Stock Code	Product Descriptions	Inch	Brine Removing %	GPD	Spacer	Psi (MPA)	PPM	Price
3-1T- TMG10D	TMG10D	4"	99.5	9.1	31	110(0.76)	500	
3-1T- TM720L-400	TM720L-400	8"	99.5	32.2	31	150(1.03)	2000	
3-1T- TMG20D-400	TMG20D-400	8"	99.5	38.6	34	110(0.76)	700	
3-1T- TMG20D-440	TMG20D-440	8"	99.5	42.6	31	110(0.76)	700	

ULTRA LOW PRESSURE MEMBRANES

Stock Code	Product Descriptions	Inch	Brine Removing %	GPD	Spacer	Psi (MPA)	PPM	Price
3-1T- TMH10A	TMH10A	4"	99.3	9.1	31	110(0.76)	700	
3-1T- TMH20A-400	TMH20A-400	8"	99.3	41.6	28	100(0.69)	500	
3-1T- TMH20A-440C	TMH20A-440C	8"	99.3	45.7	28	110(0.76)	500	

LOW FOULING MEMBRANES

Stock Code	Product Descriptions	Inch	Brine Removing %	GPD	Spacer	Psi (MPA)	PPM	Price
3-1T- TML10D	TML10D	4"	99.8	7.2	34	225(1.55)	2000	
3-1T- TML20D-400	TML20D-400	8"	99.8	39.7	34	225(1.55)	2000	

SEA WATER MEMBRANES - STANDARD MEMBRANES

Stock Code	Product Descriptions	Inch	Brine Removing %	GPD	Spacer	Psi (MPA)	PPM	Price
3-1T- TM810C	TM810C	4"	99.75	4.5	31	800(5.52)	32000	
3-1T- TM810V	TM810V	4"	99.7	7.2	28	800(5.52)	32000	
3-1T- TM820C-400	TM820C-400	8"	99.75	24.6	34	800(5.52)	32000	
3-1T- TM820V-400	TM820V-400	8"	99.8	34.1	34	800(5.52)	32000	
3-1T- TM820V-440	TM820V-440	8"	99.8	37.5	28	800(5.52)	32000	
3-1T- TM820R-400	TM820R-400	8"	99.8	32.2	34	800(5.52)	32000	
3-1T- TM820R-440	TM820R-440	8"	99.8	35.6	28	800(5.52)	32000	
3-1T- TM820M-400	TM820M-400	8"	99.8	26.5	34	800(5.52)	32000	
3-1T- TM820M-440	TM820M-440	8"	99.8	29.2	28	800(5.52)	32000	

MEMBRANES

TORAY NANOFILTRATION MEMBRANES

Stock Code	Product Descriptions	Inch	Brine Removing %	GPD	Price
3-1T-TM610	TM610	4"	97	6,3	
3-1T-TM620-400	TM620-400	8"	97	32	
3-1T-TM620-440	TM620-440	8"	97	35,2	



TORAY ULTRAFILTRATION MEMBRANES

Stock Code	Product Descriptions	Surface Area	Por Dimension	kPa (Psi)	Material
3-11TORAY-HSU-1515	HSU-1515	20 m ²	150,000 Da (UF)	100 (15 psi)	PVDF
3-11TORAY-HFU-1020N	HFU-1020N	29 m ²	150,000 Da (UF)	300 (44 psi)	PVDF
3-11TORAY-HFU-2020N	HFU-2020N	72 m ²	150,000 Da (UF)	300 (44 psi)	PVDF

TORAY TMR 090/140 SERIES MBR - SS 304

Stock Code	Product Descriptions	Flow m3/d	Surface Area	Price
0-MBR-TMR090-050S	TMR090-050S	5-35	45 m ²	
0-MBR-TMR090-100S	TMR090-100S	10-70	90 m ²	
0-MBR-TMR140-050S	TMR140-050S	8-53	70 m ²	
0-MBR-TMR140-100S	TMR140-100S	15-105	140 m ²	
0-MBR-TMR140-200W	TMR140-200W	30-120	280 m ²	
0-MBR-TMR140-200D	TMR140-200D	30-120	280 m ²	

TORAY TMR 090/140 SERIES MBR - SS 316

Stock Code	Product Descriptions	Flow m3/d	Surface Area	Price
0-MBR-TMR090-050S-316	TMR090-050S	5-35	45 m ²	
0-MBR-TMR090-100S-316	TMR090-100S	10-70	90 m ²	
0-MBR-TMR140-050S-316	TMR140-050S	8-53	70 m ²	
0-MBR-TMR140-100S-316	TMR140-100S	15-105	140 m ²	
0-MBR-TMR140-200W-316	TMR140-200W	30-120	280 m ²	
0-MBR-TMR140-200D-316	TMR140-200D	30-120	280 m ²	

MEMBRANE CHEMICALS

ROPUR ANTISCALANT

Stock Code	Model	Specification	Price
8-KIM-ROPUR-2000	RPI-2000	The RPI-2000 is a Phosphor Free formulation engineered to inhibit the Carbonate scale formation in Reverse Osmosis systems. The proprietary water-based polymeric structure expresses state of art dispersion performances of common fine metal oxides particles. Also, the RPI-2000 inherently inhibits the growth of micro-organism, reducing the observed bio-fouling trend.	
8-KIM-ROPUR-2800	RPI-2800	The RPI-2800 is the Phosphor Free reference designed to prevent the carbonate and sulphate scale formation in Reverse Osmosis systems. The reference also reduces the Bio-Fouling growth tendency observed in Seawater RO plants, through a bacteriostatic mechanism. The RPI-2800 is the Premium choice for SWRO applications.	
8-KIM-ROPUR-3000A	RPI-3000A	The RPI-3000A is designed to inhibit the mineral scale formation inside Reverse Osmosis systems, particularly with difficult Brackish feed water. The RPI-3000A is highly effective against Calcium Sulphate, Calcium&Magnesium Carbonate and Calcium Fluoride scaling.	
8-KIM-ROPUR-3000B	RPI-3000B	The RPI-3000B is designed to inhibit the mineral scale formation inside Reverse Osmosis systems, particularly with difficult Brackish feed water. The RPI-3000A is highly effective against Calcium Sulphate, Calcium&Magnesium Carbonate and Calcium Fluoride scaling.	
8-KIM-ROPUR-4000A	RPI-4000A	RPI-4000A is specially designed to inhibit the scale formation in RO systems operating difficult Brackish water. RPI-4000A displays a high crystal growth threshold value. RPI-4000A is the ideal reference for water containing carbonate and sulfate salts and/or with high levels of Barium/Strontium salts and/or with high content of metal cations like Iron, Manganese, Copper, Aluminum...	
8-KIM-ROPUR-4000B	RPI-4000B	RPI-4000B is specially designed to inhibit the scale formation in RO systems operating difficult Brackish water. RPI-4000B displays a high crystal growth threshold value. RPI-4000B is the ideal reference for water containing carbonate and sulfate salts and/or with high levels of Barium/Strontium salts and/or with high content of metal cations like Iron, Manganese, Copper, Aluminum...	
8-KIM-ROPUR-4500A	RPI-4500A	RPI-4500A is specially designed to inhibit the scale formation in RO systems when the feedwater is mainly composed of Calcium & Magnesium with a substantial amount of Silicate. RPI-4500A is also efficient to prevent the formation of calcium carbonate based scale.	
8-KIM-ROPUR-4900	RPI-4900	The Patented RPI-4900 is specially designed to inhibit scale formation in SeaWater RO systems (equipped with polyamide, celluloseacetate and polyether membranes with an anionically charged surface).	
8-KIM-ROPUR-5000A	RPI-5000A	RPI-5000A is specially designed to inhibit Ca/Mg Silicate scale formation in RO systems. RPI-5000A is the most effective solution to prevent the deposits of colloidal/dissolved SiO2 on the membrane surface. The maximal silicate concentration achievable in the brine stream is between 260 and 300 mg/l.	
8-KIM-ROPUR-6000	RPI-6000*	RPI-6000 is a Super Concentrated Solution to prevent "Calcium Sulfate" crystals formation in BWRO & SWRO systems. RPI-6000 is designed for water with an extremely high Calcium/Magnesium Sulfate content (up to 15,000 mg/l). Additionally, the RPI-6000 has also the capacity to prevents Calcium Carbonate scaling.	
8-KIM-ROPUR-7000	RPI-7000	RPI-7000 is specially designed for waters containing phosphate and silicate salts. The 7000 reference effectively prevents the Phosphate Scale and Metal Oxide deposit formation, while exhibiting a bacteriostatic effect, making of the RPI-7000 the ideal Antiscalant for Water-Reuse application. RPI-7000 is recommended for use with RO polyamide, cellulose acetate and polyether membranes.	

	RPI 2000	RPI 2800	RPI 3000A	RPI 4000A	RPI 4500A	RPI 4900	RPI 5000A	RPI 6000	RPI 7000
Feedwater source	BW/SW	SW	BW/SW	BW	BW	BW/SW	BW	BW	BW
CaCO ₃	●●●	●●●	●●●	●●●	●●	●●●	●	●●	●●●
CaSO ₄	●●	●	●●●	●●●	●●	●●	●	●●●	●
BaSO ₄ / SrSO ₄	●	●	●●●	●●●	●●	●●	●	●●	●
SiO ₂ -(H ₂ O) _x	○	○	●	●	●	●	●●●		●●
CaF ₂	●	○	●	●●	●	●●	○	●	●
Ca ₃ (PO ₄) ₂	●	●	○	●	●		●●	○	●●●
Fouling Inhibition	●●	●●	●●	●	●	○	●		●●
Fe/Mn/Al/Cu/Co	●●	●●	●●●	●●	●●	●●	●●	●	●●●

●●● Best ●● Very Good ● Good ○ Limited

MEMBRANE VESSELS

WAVECYBER MEMBRANE VESSELS

Stock Code	Product Descriptions	300 Psi	1000 Psi
3-2WC-4040	40x40 FRP Membrane Vessel 1 Elements		
3-2WC-4080	40x80 FRP Membrane Vessel 2 Elements		
3-2WC-40120	40x120 FRP Membrane Vessel 3 Elements		
3-2WC-40160	40x160 FRP Membrane Vessel 4 Elements		
3-2WC-8040	80x40 FRP Membrane Vessel 1 Elements		
3-2WC-8080	80x80 FRP Membrane Vessel 2 Elements		
3-2WC-80120	80x120 FRP Membrane Vessel 3 Elements		
3-2WC-80160	80x160 FRP Membrane Vessel 4 Elements		
3-2WC-80200	80x200 FRP Membrane Vessel 5 Elements		
3-2WC-80240	80x240 FRP Membrane Vessel 6 Elements		
3-2WC-80280	80x280 FRP Membrane Vessel 7 Elements		



HFT MEMBRANE VESSELS

Stock Code	Product Descriptions	300 Psi. Price	1000 Psi. Price
3-2HFT-2521	25x21 Membrane Vessel		
3-2HFT-2540	25x40 Membrane Vessel		
3-2HFT-4021	40x21 Membrane Vessel		
3-2HFT-4040	40x40 Membrane Vessel - 1 Elements		
3-2HFT-4080	40x80 Membrane Vessel - 2 Elements		
3-2HFT-40120	40x120 Membrane Vessel - 3 Elements		
3-2HFT-40160	40x160 Membrane Vessel - 4 Elements		
3-2HFT-8040	80x40 Membrane Vessel - 1 Elements		
3-2HFT-8080	80x80 Membrane Vessel - 2 Elements		
3-2HFT-80120	80x120 Membrane Vessel - 3 Elements		
3-2HFT-80160	80x160 Membrane Vessel - 4 Elements		
3-2HFT-80200	80x200 Membrane Vessel - 5 Elements		
3-2HFT-80240	80x240 Membrane Vessel - 6 Elements		
3-2HFT-80280	80x280 Membrane Vessel - 7 Elements		

INDUSTRIAL MOTOR / PUMP AND R.O. SPARE PARTS

R.O. MOTORS

Stock Code	Product Descriptions	Price
3-32-0,33	0,33 HP (Nuert)	
3-32-0,5	0,5 HP (Nuert)	
3-32-0,75	0,75 HP (Nuert)	
3-32-1	1 HP (Nuert)	



R.O. PUMP

Stock Code	Product Descriptions	Price
3-31-0200	200 lt/h By-Pass RO Pump (Nuert)	
3-31-0300	300 lt/h By-Pass RO Pump (Nuert)	
3-31-0400	400 lt/h RO Pump (Nuert)	
3-31-0600	600 lt/h RO Pump (Nuert)	
3-31-0800	800 lt/h RO Pump (Nuert)	
3-31-1000	1000 lt/h RO Pump (Nuert)	



COUPLING & PIPE FITTINGS

Stock Code	Product Descriptions	Price
3-7-SS25-350	SS304 Virtualic Coupling 3/4" 350Psi	
3-7-SS32-350	SS304 Virtualic Coupling 1" 350Psi	
3-7-SS50-350	SS304 Virtualic Coupling 1 1/2" 350Psi	
3-7-SS63-350	SS304 Virtualic Coupling 2" 350Psi	
3-7-KSS-32-0	AISI 304 Pipe Fittings Welded 1"	
3-7-KSS-50-0	AISI 304 Pipe Fittings Welded 1 1/2"	
3-7-KSS-32-1	AISI 304 Pipe Fittings Threaded 1"	
3-7-KSS-50-1	AISI 304 Pipe Fittings Threaded 1 1/2"	



R.O. SPARE PARTS

Stock Code	Product Descriptions	Price
3-71-011	Low Pressure Switch (Danfoss/Fantini) / LEFOO LF5508	
3-71-012	High Pressure Switch (Danfoss/Fantini) / LEFOO LF5532	
3-71-20	1/2" Solenoid Valve	
3-71-25	3/4" Solenoid Valve	
3-71-32	1" Solenoid Valve	
3-71-010	5 mt Cabled Floater	
3-71-002	Glycerin Pressure Gauge 1/4"	
	R.O. Beta Mechanical Panel (Three-Phase / Single-Phase)	
	R.O. Omega Mechanical Panel (Three-Phase / Single-Phase)	



R.O. OPTIONAL PARTS

Stock Code	Product Descriptions	Price
3-4-2003	CM-2003 RO Control Unit (ROC 2015)	
3-4-KP2313	CM-2313 RO ControlUnit + Conductivity Controller	
3-4-CCT3220	CM-330 Conductivity Meter 4-20 mA Out (CCT 3320)	
3-4-H002	Dual Conductivity Indicator 1/4"	
3-4-H003	Dual Conductivity Indicator 3/8"	
3-4-CCT3320V	CM-230 Conductivity Meter (CCT 3320V)	
3-4-KP-5230	CM-5230 Conductivity Meter Controller (CCT 5320E)	
3-4-KP-5630	CM-5630 Conductivity Meter Controller (CCT 5320E)	



5230



2003

HFT VALVES AND ELECTRIC ACTUATOR

HFT ACTUATORS

Stock Code	Tork	Power (VAC)	Price
14-AKS-220-030	30NM Electric Actuator	220	
14-AKS-220-060	60NM Electric Actuator	220	
14-AKS-220-100	100NM Electric Actuator	220	
14-AKS-220-200	200NM Electric Actuator	220	



HFT MANUAL BUTTERFLY VALVE

Stock Code	Product Descriptions	Connection	Material	Price
14-DKM-KLB-040	Wafer Type Butterfly Valve	DN40 1 1/2"	Cast Iron Body, SS316 Flap	
14-DKM-KLB-050	Wafer Type Butterfly Valve	DN50 2"	Cast Iron Body, SS316 Flap	
14-DKM-KLB-065	Wafer Type Butterfly Valve	DN65 2 1/2"	Cast Iron Body, SS316 Flap	
14-DKM-KLB-080	Wafer Type Butterfly Valve	DN80 3"	Cast Iron Body, SS316 Flap	
14-DKM-KLB-100	Wafer Type Butterfly Valve	DN100 4"	Cast Iron Body, SS316 Flap	
14-DKM-KLB-125	Wafer Type Butterfly Valve	DN125 5"	Cast Iron Body, SS316 Flap	
14-DKM-KLB-150	Wafer Type Butterfly Valve	DN150 6"	Cast Iron Body, SS316 Flap	
14-DKM-KLB-200	Wafer Type Butterfly Valve	DN200 8"	Cast Iron Body, SS316 Flap	



HFT 220V BUTTERFLY VALVE WITH ELECTRIC ACTUATOR

Stock Code	Product Descriptions	Connection	Material	Power (VAC)	Price
14-AKT-DKM-KLB-220-040	Wafer Type Butterfly Valve	DN40	Cast Iron Body, SS316 Flap	220V	
14-AKT-DKM-KLB-220-050	Wafer Type Butterfly Valve	DN50	Cast Iron Body, SS316 Flap	220V	
14-AKT-DKM-KLB-220-065	Wafer Type Butterfly Valve	DN65	Cast Iron Body, SS316 Flap	220V	
14-AKT-DKM-KLB-220-080	Wafer Type Butterfly Valve	DN80	Cast Iron Body, SS316 Flap	220V	
14-AKT-DKM-KLB-220-100	Wafer Type Butterfly Valve	DN100	Cast Iron Body, SS316 Flap	220V	
14-AKT-DKM-KLB-220-125	Wafer Type Butterfly Valve	DN125	Cast Iron Body, SS316 Flap	220V	
14-AKT-DKM-KLB-220-150	Wafer Type Butterfly Valve	DN150	Cast Iron Body, SS316 Flap	220V	
14-AKT-DKM-KLB-220-200	Wafer Type Butterfly Valve	DN200	Cast Iron Body, SS316 Flap	220V	

VALVES WITH ELECTRIC MOTOR

Stock Code	Product Descriptions	Power (VAC)	Cast Iron Price	PVC Price	SS316 Price
8-09-016	1/2" Valve	24 / 220			
8-09-020	3/4" Valve	24 / 220			
8-09-032	1" Valve	24 / 220			
8-09-040	1 1/4" Valve	24 / 220			



NEEDLE VALVES

Stock Code	Product Descriptions	Material	Price
3-72-20	1/2" Valve	SS 304	
3-72-25	3/4" Valve	SS 304	
3-72-32	1" Valve	SS 304	



FLOWMETERS

FLOWMETERS - INLINE TYPE - THREADED

Stock Code	Product Descriptions	Flow - LPM	Flow - Lt/h	Price
3-83-0060-420	Inline Type Threaded	1-7	60-420	
3-83-0120-1080	Inline Type Threaded	2-18	120-1080	
3-83-1200-6000	Inline Type Threaded	20-100	1200-6000	
3-83-1200-9000	Inline Type Threaded	20-150	1200-9000	
3-83-4800-13200	Inline Type Threaded	80-220	4800-13200	
3-83-4800-21600	Inline Type Threaded	80-360	4800-21600	
3-83-9000-27000	Inline Type Threaded	150-450	9000-27000	



FLOWMETERS - INLINE TYPE - PVC

Stock Code	Product Descriptions	Flow - Lt/h	Price
3-84-0025-250	Inline Type PVC	25-250	
3-84-0040-400	Inline Type PVC	40-400	
3-84-0060-600	Inline Type PVC	60-600	
3-84-0100-1000	Inline Type PVC	100-1000	
3-84-0160-1600	Inline Type PVC	160-1600	
3-84-0250-2500	Inline Type PVC	250-2500	
3-84-0600-6000	Inline Type PVC	600-6000	
3-84-1600-16000	Inline Type PVC	1600-16000	
3-84-5000-25000	Inline Type PVC	5000-25000	
3-84-8000-40000	Inline Type PVC	8000-40000	
3-84-12000-60000	Inline Type PVC	12000-60000	



FLOWMETERS - ACRYLIC - PANEL TYPE

Stock Code	Product Descriptions	Flow - LPM	Flow - Lt/h	Price
3-81-024-240	Panel Type	0.4-4	24-240	
3-81-060-420	Panel Type	1-7	60-420	
3-81-060-660	Panel Type	1-11	60-660	
3-81-120-1080	Panel Type	2-18	120-1080	
3-81-300-2100	Panel Type	5-35	300-2100	
3-81-600-3000	Panel Type	10-50	600-3000	
3-81-600-4200	Panel Type	10-70	600-4200	
3-81-600-7800	Panel Type	10-130	600-7800	
3-81-600-9000	Panel Type	10-150	600-9000	





INDUSTRIAL SYSTEMS

REVERSE OSMOSIS SYSTEMS

BETA and OMEGA SERIES REVERSE OSMOSIS SYSTEMS

RO Model	Capacity lt/h	Membrane Type	Membrane Qty.	BETA - Price	OMEGA - Price
RO 80	80	25x40	1		
RO 160	160	40x21	1		
RO 250	250	40x40	1		
RO 500	500	40x40	2		
RO 750	750	40x40	3		
RO 1000	1000	40x40	4		
RO 1250	1250	40x40	5		
RO 1500	1500	40x40	6		
RO 2000	2000	40x40	8		
RO 2250	2250	40x40	9		
RO 2500	2500	40x40	10		
RO 3000	3000	40x40	12		

*System datas might show variability according to valuables of the raw water.

*System design regulated according to 500 ppm and 11 bars pressure.

BETA SERIES TECHNICAL SPECIFICATIONS

- HFT Membrane outer container
- HFT 2,5" and 4" membrane
- Carbon steel frame
- Low and high pressure pipe line
- Pump output and waste line setting valve
- Automatic valves selenoid or equivalent
- Low pressure prosestat
- Product water and waste water flowmeters
- Product water conductivity indicator
- RO80-RO500 rotary type pump
- High pressure pump between RO750-RO300 with upright shaft
- Manometers
- Mechanic card panel 220 V

OMEGA SERIES TECHNICAL SPECIFICATIONS

- HFT Membrane outer container
- HFT 2,5" and 4" membrane
- SS304 stainless frame
- Low and high pressure pipe line
- Pump output and waste line setting valve
- Automatic valves with actuator or equivalent
- Low and high pressure prosestat
- Product water ,waste water and back flow flowmeters
- Product water conductivity indicator
- Autoflash system
- Rotary type pump between RO80-RO500
- High pressure pump between RO750-RO300 with upright shaft
- Manometers
- Position lamps with mechanic card panel 24 V



REVERSE OSMOSIS SYSTEMS

REVERSE OSMOSIS SYSTEMS							*Optional			
RO Model	Capacity 20 °C m³/h	Membrane Type	Membrane Qty.	Card Panel CIP Excluding	Card Panel CIP Including	PLC Panel CIP Including	High Pressure Line SS304 Difference	SS304 Stainless Steel Frame Difference	GRUNDFOS Pump Difference	TORAY Membrane Difference
RO 3000	3	8x40	3							
RO 4000	4	8x40	4							
RO 6000	6	8x40	6							
RO 8000	8	8x40	8							
RO 10000	10	8x40	10							
RO 12000	12	8x40	12							
RO 15000	15	8x40	15							
RO 18000	18	8x40	18							
RO 24000	24	8x40	24							
RO 30000	30	8x40	30							
RO 36000	36	8x40	36							
RO 42000	42	8x40	42							
RO 48000	48	8x40	48							
RO 60000	60	8x40	60							
RO 72000	72	8x40	72							
RO 96000	96	8x40	96							

*System datas might show variability according to valuables of the raw water.
 *System design regulated according to 2000 ppm and 12 bars pressure.

STANDARD SPECIFICATIONS

- HFT membrane outer container
- HFT 8" membrane
- SS304 stainless frame
- RO3000-RO24000 PVC cartridge filter
- Low and high pressure pipeline U-PVC (RO100-RO3000)
- Low and high pressure pipeline U-PVC/AISI 304 stainless (RO36000-96000)
- Pump output and waste line setting valve
- Low and high pressure prosestat
- Product water and waste water flowmeters
- Product water conductivity indicator
- Auto-flash system
- High pressure pump (CDLF)
- Manometers
- Suitable tank and pump according to capacity for CIP-flushing systems
- It does not include antiscalant unit
- Card or PLC panel option
- Automatic valves with electric actuator



AUTOMATIC SAND FILTRATION SYSTEMS

CLACK WS1 FILTERS - FLOTROL CN FILTERS - RUNXIN F71

Stock Code	Tank	Filtration Speed		Minerals		RUNXIN Price	CLACK Price	FLOTROL Price
		15 m/h	20 m/h	Anthracite (lt)	Quartz (kg)			
0-Sand-F0010	8x17	0.5	0.65	2	6			
0-Sand-F0020	8x35	0.5	0.65	7	14			
0-Sand-F0030	10x35	0.75	1	10	23			
0-Sand-F0050	10x54	0.75	1	15	38			

CLACK WS1 FILTERS - FLOTROL 25 FILTERS - RUNXIN F67

Stock Code	Tank	Filtration Speed		Minerals		RUNXIN Price	CLACK Price	FLOTROL Price
		15 m/h	20 m/h	Anthracite (lt)	Quartz (kg)			
0-Sand-F0060	12x52	1	1.5	20	40			
0-Sand-F0075	13x54	1.3	1.7	25	50			
0-Sand-F0100	14x65	1.5	2	35	70			
0-Sand-F0150	16x65	2	2.6	50	100			
0-Sand-F0200	18x65	2.5	3.3	75	115			
0-Sand-F0250	21x62	3.3	4.5	85	175			

CLACK WS125 FILTERS - FLOTROL 30 FILTERS

Stock Code	Tank	Filtration Speed		Minerals		RUNXIN Price	CLACK Price	FLOTROL Price
		15 m/h	20 m/h	Anthracite (lt)	Quartz (kg)			
0-Sand-F0075	13x54	1.3	1.7	25	55			
0-Sand-F0100	14x65	1.5	2	35	70			
0-Sand-F0150	16x65	2	2.6	50	100			
0-Sand-F0200	18x65	2.5	3.3	75	115			
0-Sand-F0250	21x62	3.3	4.5	85	175			

CLACK WS 15 FILTERS - FLOTROL 40 FILTERS - RUNXIN N75

Stock Code	Tank	Filtration Speed		Minerals		RUNXIN Price	CLACK Price	FLOTROL Price
		15 m/h	20 m/h	Anthracite (lt)	Quartz (kg)			
0-Sand-F0100	14x65	1.5	2	35	70			
0-Sand-F0150	16x65	2	2.6	50	100			
0-Sand-F0200	18x65	2.5	3.3	75	115			
0-Sand-F0250	21x62	3.3	4.5	85	175			
0-Sand-F0300	24x72	4.4	5.8	100	225			
0-Sand-F0500	30x72	6.8	9	125	475			

CLACK WS 2 FILTERS - FLOTROL 50 FILTERS - RUNXIN N77

Stock Code	Tank	Filtration Speed		Minerals		RUNXIN Price	CLACK Price	FLOTROL Price
		15 m/h	20 m/h	Anthracite (lt)	Quartz (kg)			
0-Sand-F0300	24x72	4.4	5.8	100	225			
0-Sand-F0500	30x72	6.8	9	125	475			
0-Sand-F0750	36x72	10	13	175	650			

CLACK WS 2 QC FILTERS - FLOTROL 60 FILTERS - RUNXIN F111

Stock Code	Tank	Filtration Speed		Minerals		RUNXIN Price	CLACK Price	FLOTROL Price
		15 m/h	20 m/h	Anthracite (lt)	Quartz (kg)			
0-Sand-F0500	30x72	6.8	9	125	475			
0-Sand-F0750	36x72	10	13	175	650			
0-Sand-F0900	42x72	13.4	18	200	775			

SURFACE PIPING SYSTEMS

SAND FILTRATION SYSTEMS WITH FRP TANK

Stock Code	Model	Tank Size mm. Diameter X H	Connection Dimension	Service Flow		Minerals		Standard Price Electric Actuator
				20 m/s	30 m/s	Anthracite (lt)	Quartz (kg)	
0-Sand-YFP-500	Hydro Filter 3072	765 x 2150	50-50	9	14	125	475	
0-Sand-YFP-750	Hydro Filter 3672	918 x 2260	50-50	13	20	175	650	
0-Sand-YFP-1000	Hydro Filter 4294	1088 x 2400	65-65	18	27	200	775	
0-Sand-YFP-1200	Hydro Filter 4894	1218 x 2400	65-65	23	35	300	1125	
0-Sand-YFP-1600	Hydro Filter 6394	1620 x 2400	80-80	40	60	550	2025	

SIEMENS PLC+TOUCH SCREEN PRICE DIFFERENCE

HFT Brand FRP tank

Backwash with timer

Cast butterfly valves with elektric actuators (pnomatic electric actuator option, no price difference)

Hypo rally structure, connector diffusor

PVC material, surfaced piping (Epoxy coated frame)

Max. working pressure 6 bars.

Sample faucets and manometers is in the input and output of the system

PLC based Siemens logo control panel (Touchscreen option)

Electric 220V/50 Hz /1 ph

Air supply belongs to the customer in case of pnomatic valves

Recommended compressor capacity is min. 100 lt/min. And 8 bars

SAND FILTRATION SYSTEMS WITH EPOXY PAINTED ST-37 TANK

Stock Code	Model	Tank Size mm. Diameter X H	Connection Dimension	Service Flow		Minerals		Standard Price Electric Actuator	Galvanize Piping Price Difference
				20 m/s	30 m/s	Anthracite (lt)	Quartz (kg)		
0-Sand-YF-1200	Hydro Filter 1200	1200 x 2790	65-65	25	37	350	1375		
0-Sand-YF-1600	Hydro Filter 1600	1600 x 3020	80-80	40	60	600	2375		
0-Sand-YF-2000	Hydro Filter 2000	2000 x 3250	100-100	63	94	800	3150		
0-Sand-YF-2400	Hydro Filter 2400	2400 x 3400	125-125	91	136	1150	4525		

SIEMENS PLC+TOUCH SCREEN PRICE DIFFERENCE

Epoxy painted carbon steel system

Backwashing with timer.

Cast butterfly valves with electric actuators (pnomatic electric actuator option, no price difference)

Hypo (base) rally connector diffusor

PVC-U material surface piping (Optional galvanize surface piping)

Max working pressure 6 bars

Sample faucets and manometers is in the input and output of the system

PLC based Siemens logo control panel (Touch screen option)

Electric 240 V/ 220 V

Air supply belongs to the customer in case of pnomatic valves

Recommended compressor capacity lt/min. And 8 bars



AUTOMATIC CARBON FILTER SYSTEMS

CLACK WS1 FILTERS - FLOTROL CN FILTERS - RUNXIN F71

Stock Code	Tank	Filtration Speed		Minerals		RUNXIN Price	CLACK Price	FLOTROL Price
		15 m/h	20 m/h	Carbon (kg)	Quartz (kg)			
0-KAR-C0010	8x17	0.5	0.65	4				
0-KAR-C0020	8x35	0.5	0.65	9				
0-KAR-C0030	10x35	0.75	1	15				
0-KAR-C0050	10x54	0.75	1	25				

CLACK WS1 FILTERS - FLOTROL 25 FILTERS - RUNXIN F67

Stock Code	Tank	Filtration Speed		Minerals		RUNXIN Price	CLACK Price	FLOTROL Price
		15 m/h	20 m/h	Carbon (kg)	Quartz (kg)			
0-KAR-C0060	12x52	1	1.5	30	10			
0-KAR-C0075	13x54	1.3	1.7	35	15			
0-KAR-C0100	14x65	1.5	2	45	15			
0-KAR-C0150	16x65	2	2.6	65	20			
0-KAR-C0200	18x65	1.5	2	80	25			
0-KAR-C0250	21x62	2	2.6	100	50			

CLACK WS125 FILTERS - FLOTROL 30 FILTERS

Stock Code	Tank	Filtration Speed		Minerals		CLACK Price	FLOTROL Price
		15 m/h	20 m/h	Carbon (kg)	Quartz (kg)		
0-KAR-C0075	13x54	1.3	1.7	35	15		
0-KAR-C0100	14x65	1.5	2	45	15		
0-KAR-C0150	16x65	2	2.6	65	20		
0-KAR-C0200	18x65	2.5	3.3	80	25		
0-KAR-C0250	21x62	3.3	4.5	100	50		

CLACK WS 15 FILTERS - FLOTROL 40 FILTERS - RUNXIN N75

Stock Code	Tank	Filtration Speed		Minerals		RUNXIN Price	CLACK Price	FLOTROL Price
		15 m/h	20 m/h	Carbon (kg)	Quartz (kg)			
0-KAR-C0100	14x65	1.5	2	45	25			
0-KAR-C0150	16x65	2	2.6	65	50			
0-KAR-C0200	18x65	2.5	3.3	80	50			
0-KAR-C0250	21x62	3.3	4.5	100	75			
0-KAR-C0300	24x72	4.4	5.8	125	100			
0-KAR-C0500	30x72	6.8	9	150	225			

CLACK WS 2 FILTERS - FLOTROL 50 FILTERS - RUNXIN N77

Stock Code	Tank	Filtration Speed		Minerals		RUNXIN Price	CLACK Price	FLOTROL Price
		15 m/h	20 m/h	Carbon (kg)	Quartz (kg)			
0-KAR-C0300	24x72	4.4	5.8	125	100			
0-KAR-C0500	30x72	6.8	9	150	225			
0-KAR-C0750	36x72	10	13	225	325			

CLACK WS 2 QC FILTERS - FLOTROL 60 FILTERS - RUNXIN F111

Stock Code	Tank	Filtration Speed		Minerals		RUNXIN Price	CLACK Price	FLOTROL Price
		15 m/h	20 m/h	Carbon (kg)	Quartz (kg)			
0-KAR-C0500	30x72	6.5	9	150	225			
0-KAR-C0750	36x72	10	13	225	325			
0-KAR-C0900	42x72	13.4	18	275	400			

SURFACE PIPING SYSTEMS

ACTIVE CARBON FILTER SYSTEMS WITH FRP TANK

Stock Code	Model	Tank Size mm. Diameter X H	Connection Dimension	Service Flow		Minerals		Standard Price Electric Actuator
				20 m/s	30 m/s	Carbon (kg)	Quartz (kg)	
0-KAR-YCP-500	Hydro Filter 3072	765 x 2150	50-50	9	14	150	225	
0-KAR-YCP-750	Hydro Filter 3672	918 x 2260	50-50	13	20	225	325	
0-KAR-YCP-1000	Hydro Filter 4294	1088 x 2400	65-65	18	27	275	400	
0-KAR-YCP-1200	Hydro Filter 4894	1218 x 2400	65-65	23	35	400	550	
0-KAR-YCP-1600	Hydro Filter 6394	1620 x 2400	80-80	40	60	700	1000	

SIEMENS PLC+TOUCH SCREEN PRICE DIFFERENCE

HFT Brand FRP tank
 Backwash with timer
 Cast butterfly valves with elektric actuators (pnomatic electric actuator option, no price difference)
 Hypo rally structure, connector diffusor
 PVC material, surfaced piping (Epoxy coated frame)

Max. working pressure 6 bars.
 Sample faucets and manometers is in the input and output of the system
 PLC based Siemens logo control panel (Touchscreen option)
 Electric 220V/50 Hz /1 ph
 Air supply belongs to the customer in case of pnomatic valves
 Recommended compressor capacity is min. 100 lt/min. And 8 bars

ACTIVE CARBON FILTER SYSTEMS WITH EPOXY PAINTED ST-37 TANK

Stock Code	Model	Tank Size mm. Diameter X H	Connection Dimension	Service Flow		Minerals		Standard Price Electric Actuator	Galvanize Piping Price Difference
				20 m/s	30 m/s	Carbon (kg)	Quartz (kg)		
0-KAR-YC-1200	Hydro Filter 1200	1200 x 2790	65-65	25	37	475	600		
0-KAR-YC-1600	Hydro Filter 1600	1600 x 3020	80-80	40	60	850	1150		
0-KAR-YC-2000	Hydro Filter 2000	2000 x 3250	100-100	63	94	1500	500		
0-KAR-YC-2400	Hydro Filter 2400	2400 x 3400	125-125	91	136	2175	725		

SIEMENS PLC+TOUCH SCREEN PRICE DIFFERENCE

Epoxy painted carbon steel system
 Backwashing with timer.
 Cast butterfly valves with electric actuators (pnomatic electric actuator option, no price difference)
 Hypo (base) rally connector diffusor
 PVC-U material surface piping (Optional galvanize surface piping)

Max working pressure 6 bars
 Sample faucets and manometers is in the input and output of the system
 PLC based Siemens logo control panel (Touch screen option)
 Electric 240 V/ 220 V
 Air supply belongs to the customer in case of pnomatic valves
 Recommended compressor capacity lt/min. And 8 bars



AUTOMATIC IRON MANGANESE FILTER SYSTEMS

CLACK WS1 FILTERS - FLOTROL CN FILTERS - RUNXIN F71

Stock Code	Tank	Filtration Speed 10 m/h	Minerals Birm (lt)	Quartz (kg)	RUNXIN Price	CLACK Price	FLOTROL Price
0-DEM-I0010	8x17	0.32	8				
0-DEM-I0020	8x35	0.32	18				
0-DEM-I0030	10x35	0.52	30				
0-DEM-I0050	10x54	0.52	50				

CLACK WS1 FILTERS - FLOTROL 25 FILTERS - RUNXIN F67

Stock Code	Tank	Filtration Speed 10 m/h	Minerals Birm (lt)	Quartz (kg)	RUNXIN Price	CLACK Price	FLOTROL Price
0-DEM-I0060	12x52	0.73	60	10			
0-DEM-I0075	13x54	0.87	70	15			
0-DEM-I0100	14x65	1	90	15			
0-DEM-I0150	16x65	1.3	130	20			
0-DEM-I0200	18x65	1.65	160	25			
0-DEM-I0250	21x62	2.25	200	50			

CLACK WS125 FILTERS - FLOTROL 30 FILTERS

Stock Code	Tank	Filtration Speed 10 m/h	Minerals Birm (lt)	Quartz (kg)	RUNXIN Price	CLACK Price	FLOTROL Price
0-DEM-I0075	13x54	0.87	70	15			
0-DEM-I0100	14x65	1	90	15			
0-DEM-I0150	16x65	1.3	130	20			
0-DEM-I0200	18x65	1.65	160	25			
0-DEM-I0250	21x62	2.25	200	50			

CLACK WS 15 FILTERS - FLOTROL 40 FILTERS - RUNXIN N75

Stock Code	Tank	Filtration Speed 10 m/h	Minerals Birm (lt)	Quartz (kg)	RUNXIN Price	CLACK Price	FLOTROL Price
0-DEM-I0100	14x65	1	90	15			
0-DEM-I0150	16x65	1.3	130	20			
0-DEM-I0200	18x65	1.65	160	25			
0-DEM-I0250	21x62	2.25	200	50			
0-DEM-I0300	24x72	3	250	100			
0-DEM-I0500	30x72	4.6	340	150			

CLACK WS 2 FILTERS - FLOTROL 50 FILTERS - RUNXIN N77

Stock Code	Tank	Filtration Speed 10 m/h	Minerals Birm (lt)	Quartz (kg)	RUNXIN Price	CLACK Price	FLOTROL Price
0-DEM-I0300	24x72	3	250	100			
0-DEM-I0500	30x72	4.6	340	150			
0-DEM-I0750	36x72	6.6	510	250			

CLACK WS 2 QC FILTERS - FLOTROL 60 FILTERS - RUNXIN F111

Stock Code	Tank	Filtration Speed 10 m/h	Minerals Birm (lt)	Quartz (kg)	RUNXIN Price	CLACK Price	FLOTROL Price
0-DEM-I0500	30x72	4.6	340	150			
0-DEM-I0750	36x72	6.60	510	250			
0-DEM-I01000	42x72	9	680	300			
0-DEM-I1200	48x72	11.7	878	500			

SURFACE PIPING SYSTEMS

IRON FILTER SYSTEMS WITH FRP TANK

Stock Code	Model	Tank Size mm. Diameter X H	Connection Dimension	Service Flow 10 m/s	Minerals Birm (lt)	Quartz (kg)	Standard Price Electric Actuator
0-DEM-YIP-500	Hydro Filter 3072	765 x 2150	50-50	4.6	340	150	
0-DEM-YIP-750	Hydro Filter 3672	918 x 2260	50-50	6.75	510	250	
0-DEM-YIP-1000	Hydro Filter 4294	1088 x 2400	65-65	5.06	680	300	
0-DEM-YIP-1200	Hydro Filter 4894	1218 x 2400	65-65	11.8	878	500	
0-DEM-YIP-1600	Hydro Filter 6394	1620 x 2400	80-80	20	1528	800	

SIEMENS PLC+TOUCH SCREEN PRICE DIFFERENCE

HFT Brand FRP tank
 Backwash with timer
 Cast butterfly valves with elektric actuators (pnomatic electric actuator option, no price difference)
 Hypo rally structure, connector diffusor
 PVC material, surfaced piping (Epoxy coated frame)

Max. working pressure 6 bars.
 Sample faucets and manometers is in the input and output of the system
 PLC based Siemens logo control panel (Touchscreen option)
 Electric 220V/50 Hz /1 ph
 Air supply belongs to the customer in case of pnomatic valves
 Recommended compressor capacity is min. 100 lt/min. And 8 bars

IRON FILTER SYSTEMS WITH EPOXY PAINTED ST-37 TANK

Stock Code	Model	Tank Size mm. Diameter X H	Connection Dimension	Service Flow 10 m/s	Minerals Birm (lt)	Quartz (kg)	Standard Price Electric Actuator	Galvanize Piping Price Difference
0-DEM-YI-1200	Hydro Filter 1200	1200 x 2790	65-65	18	934	500		
0-DEM-YI-1600	Hydro Filter 1600	1600 x 3020	80-80	20	1528	800		
0-DEM-YI-2000	Hydro Filter 2000	2000 x 3250	100-100	32	2405	500		
0-DEM-YI-2400	Hydro Filter 2400	2400 x 3400	125-125	45	3425	700		

SIEMENS PLC+TOUCH SCREEN PRICE DIFFERENCE

Epoxy painted carbon steel system
 Backwashing with timer.
 Cast butterfly valves with electric actuators (pnomatic electric actuator option, no price difference)
 Hypo (base) rally connector diffusor
 PVC-U material surface piping (Optional galvanize surface piping)

Max working pressure 6 bars
 Sample faucets and manometers is in the input and output of the system
 PLC based Siemens logo control panel (Touch screen option)
 Electric 240 V/ 220 V
 Air supply belongs to the customer in case of pnomatic valves
 Recommended compressor capacity lt/min. And 8 bars



HYDROSAFE AUTOMATIC TIME CONTROLLED SOFTENER SYSTEMS

CLACK WS1 SOFTENER - FLOTROL TIMER CN SOFTENER - RUNXIN F69 SOFTENER

Stock Code	Tank	Filtration Speed		m³ x Fr	Minerals		RUNXIN Price	CLACK Price	FLOTROL Price
		30 m/h	40 m/h		Resin (lt)	Quartz (kg)			
0-YUM-TC0010	8x17	1	1.3	40	8				
0-YUM-TC0020	8x35	1	1.3	100	20				
0-YUM-TC0030	10x35	1.5	2	150	30				

CLACK WS1 SOFTENER - FLOTROL TIMER CN SOFTENER - RUNXIN F69 SOFTENER

Stock Code	Tank	Filtration Speed		m³ x Fr	Minerals		RUNXIN Price	CLACK Price	FLOTROL Price
		30 m/h	40 m/h		Resin (lt)	Quartz (kg)			
0-YUM-T0010	8x17	1	1.3	40	8				
0-YUM-T0020	8x35	1	1.3	100	20				
0-YUM-T0030	10x35	1.5	2	150	30				
0-YUM-T0050	10x54	1.5	2	250	50				

CLACK WS1 SOFTENER - FLOTROL F25 SOFTENER - RUNXIN F63 SOFTENER

Stock Code	Tank	Filtration Speed		m³ x Fr	Minerals		RUNXIN Price	CLACK Price	FLOTROL Price
		30 m/h	40 m/h		Resin (lt)	Quartz (kg)			
0-YUM-T0060	12x54	2.2	2.9	300	60				
0-YUM-T0075	13x54	2.6	3.4	375	75	10			
0-YUM-T0100	14x65	3	4	500	100	10			
0-YUM-T0150	16x65	3.9	5.2	750	150	15			
0-YUM-T0200	18x65	5	6	1000	200	20			
0-YUM-T0250	21x62	6	6	1250	250	25			

CLACK WS125 SOFTENER - FLOTROL F30 SOFTENER

Stock Code	Tank	Filtration Speed		m³ x Fr	Minerals		RUNXIN Price	CLACK Price	FLOTROL Price
		30 m/h	40 m/h		Resin (lt)	Quartz (kg)			
0-YUM-T0075	13x54	2.6	3.4	375	75	10			
0-YUM-T0100	14x65	3	4	500	100	10			
0-YUM-T0150	16x65	3.9	5.2	750	150	15			
0-YUM-T0200	18x65	5	6.3	1000	200	20			
0-YUM-T0250	21x62	6.6	7.7	1250	250	25			

CLACK WS15 SOFTENER - FLOTROL F40 SOFTENER - RUNXIN N74 SOFTENER

Stock Code	Tank	Filtration Speed		m³ x Fr	Minerals		RUNXIN Price	CLACK Price	FLOTROL Price
		30 m/h	40 m/h		Resin (lt)	Quartz (kg)			
0-YUM-T0100	14x65	3	4	500	100	10			
0-YUM-T0150	16x65	3.9	5.2	750	150	15			
0-YUM-T0200	18x65	5	6.5	1000	200	20			
0-YUM-T0250	21x62	6.7	9	1250	250	25			
0-YUM-T0300	24x72	8.8	11.6	1500	300	30			
0-YUM-T0500	30x72	13.7	15	2500	500	50			

CLACK WS2 SOFTENER - FLOTROL F50 SOFTENER - RUNXIN F99 SOFTENER

Stock Code	Tank	Filtration Speed		m³ x Fr	Minerals		RUNXIN Price	CLACK Price	FLOTROL Price
		30 m/h	40 m/h		Resin (lt)	Quartz (kg)			
0-YUM-T0300	24x72	8.8	11.6	1500	300	30			
0-YUM-T0500	30x72	13.7	18	2500	500	50			
0-YUM-T0750	36x72	20	26	3750	750	75			
0-YUM-T1000	42x72	26	26	4500	900	100			

HYDROSAFE AUTOMATIC TIME CONTROLLED SOFTENER SYSTEMS

CLACK WS2 QC SOFTENER - FLOTROL F60 SOFTENER - RUNXIN F111 SOFTENER

Stock Code	Tank	Filtration Speed		m ³ x Fr	Minerals		RUNXIN Price	CLACK Price	FLOTROL Price
		30 m/h	40 m/h		Resin (lt)	Quartz (kg)			
0-YUM-T0500	30x72	13.7	18	2500	500	50			
0-YUM-T0750	36x72	20	26	3750	750	75			
0-YUM-T1000	42x72	26	30	4500	900	125			
0-YUM-T1200	48x72	30	30	6000	1200	175			

SURFACE PIPING SYSTEMS

TIME CONTROLLED SOFTENER SYSTEMS WITH FRP TANK

Stock Code	Model	Tank Size mm. Diameter X H	Connection Dimension	Service Flow 40 m/h	m ³ x Fr	Minerals		Standard Price Electric Actuator
						Resin (lt)	Quartz (kg)	
0-YUM-YTP-500	Hydro Filter 3072	765 x 2150	50-50-25	20	2500	500	125	
0-YUM-YTP-750	Hydro Filter 3672	918 x 2260	65-50-25	27	3750	750	200	
0-YUM-YTP-1000	Hydro Filter 4294	1088 x 2400	65-50-25	32	4500	900	225	
0-YUM-YTP-1200	Hydro Filter 4894	1218 x 2400	80-50-40	46	6000	1200	350	
0-YUM-YTP-1600	Hydro Filter 6394	1620 x 2400	80-50-40	55	7500	1400	750	
0-YUM-YTP-1600L	Hydro Filter 6394 L	1620 x 2400	80-50-40	70	9000	1800	750	

SIEMENS PLC+TOUCH SCREEN PRICE DIFFERENCE

HFT Brand FRP tank

Backwash with timer

Cast butterfly valves with electric actuators (pneumatic electric actuator option, no price difference)

Hypo rally structure, connector diffusor

PVC material, surfaced piping (Epoxy coated frame)

Max. working pressure 6 bars.

Sample faucets and manometers is in the input and output of the system

PLC based Siemens logo control panel (Touchscreen option)

Electric 220V/50 Hz /1 ph

Air supply belongs to the customer in case of pneumatic valves

Recommended compressor capacity is min. 100 lt/min. And 8 bars

HYDROSAFE AUTOMATIC FLOW CONTROLLED SOFTENER SYSTEMS

CLACK WS1 SOFTENER - FLOTROL TIMER CN SOFTENER - RUNXIN F69 SOFTENER

Stock Code	Tank	Filtration Speed		m³ x Fr	Minerals		RUNXIN Price	CLACK Price	FLOTROL Price
		30 m/h	40 m/h		Resin (lt)	Quartz (kg)			
0-YUM-VC0010	8x17	1	1.3	80	8				
0-YUM-VC0020	8x35	1	1.3	200	20				
0-YUM-VC0030	10x35	1.5	2	300	30				

CLACK WS1 SOFTENER - FLOTROL TIMER CN SOFTENER - RUNXIN F69 SOFTENER

Stock Code	Tank	Filtration Speed		m³ x Fr	Minerals		RUNXIN Price	CLACK Price	FLOTROL Price
		30 m/h	40 m/h		Resin (lt)	Quartz (kg)			
0-YUM-V0010	8x17	1	1.3	80	8				
0-YUM-V0020	8x35	1	1.3	200	20				
0-YUM-V0030	10x35	1.5	2	300	30				
0-YUM-V0050	10x54	1.5	2	500	50				

CLACK WS1 SOFTENER - FLOTROL F25 SOFTENER - RUNXIN F63 SOFTENER

Stock Code	Tank	Filtration Speed		m³ x Fr	Minerals		RUNXIN Price	CLACK Price	FLOTROL Price
		30 m/h	40 m/h		Resin (lt)	Quartz (kg)			
0-YUM-V0060	12x54	2.2	2.9	600	60				
0-YUM-V0075	13x54	2.6	3.4	750	75	10			
0-YUM-V0100	14x65		4	1000	100	10			
0-YUM-V0150	16x65	3.9	5.2	1500	150	15			
0-YUM-V0200	18x65	5	6	2000	200	20			
0-YUM-V0250	21x62	6	6	2500	250	25			

CLACK WS125 SOFTENER - FLOTROL F30 SOFTENER

Stock Code	Tank	Filtration Speed		m³ x Fr	Minerals		CLACK Price	FLOTROL Price
		30 m/h	40 m/h		Resin (lt)	Quartz (kg)		
0-YUM-V0075	13x54	2.6	3.4	750	75	10		
0-YUM-V0100	14x65		4	1000	100	10		
0-YUM-V0150	16x65	3.9	5.2	1500	150	15		
0-YUM-V0200	18x65	5	6.3	2000	200	20		
0-YUM-V0250	21x62	6.6	7.7	2500	250	25		

CLACK WS15 SOFTENER - FLOTROL F40 SOFTENER - RUNXIN N74 SOFTENER

Stock Code	Tank	Filtration Speed		m³ x Fr	Minerals		RUNXIN Price	CLACK Price	FLOTROL Price
		30 m/h	40 m/h		Resin (lt)	Quartz (kg)			
0-YUM-V0100	14x65	3	4	1000	100	10			
0-YUM-V0150	16x65	3.9	5.2	1500	150	15			
0-YUM-V0200	18x65	5	6.5	2000	200	20			
0-YUM-V0250	21x62	4.7	9	2500	250	25			
0-YUM-V0300	24x72	8.8	11.6	3000	300	30			
0-YUM-V0500	30x72	13.7	15	5000	500	50			

CLACK WS2 SOFTENER - FLOTROL F50 SOFTENER - RUNXIN F99 SOFTENER

Stock Code	Tank	Filtration Speed		m³ x Fr	Minerals		RUNXIN Price	CLACK Price	FLOTROL Price
		30 m/h	40 m/h		Resin (lt)	Quartz (kg)			
0-YUM-V0300	24x72	8.8	11.6	3000	300	30			
0-YUM-V0500	30x72	13.7	18	5000	500	50			
0-YUM-V0750	36x72	20	26	7500	750	75			
0-YUM-V1000	42x72	26	26	9000	900	100			

HYDROSAFE AUTOMATIC FLOW CONTROLLED SOFTENER SYSTEMS

CLACK WS2 QC SOFTENER - FLOTROL F60 SOFTENER - RUNXIN F111 SOFTENER

Stock Code	Tank	Filtration Speed		m ³ x Fr	Minerals		RUNXIN Price	CLACK Price	FLOTROL Price
		30 m/h	40 m/h		Resin (lt)	Quartz (kg)			
0-YUM-V0500	30x72	13.7	18	5000	500	50			
0-YUM-V0750	36x72	20	26	7500	750	75			
0-YUM-V1000	42x72	26	30	9000	900	125			
0-YUM-V1200	48x72	30	30	12000	1200	175			

SURFACE PIPING SYSTEMS

FRP TANK FLOW CONTROLLED SOFTENER SYSTEMS

Stock Code	Model	Tank Size mm. Diameter X H	Connection Dimension	Service Flow 40 m/h	m ³ x Fr	Minerals		Standard Price Electric Actuator
						Resin (kg)	Quartz (kg)	
0-YUM-YVP-500	Hydro Filter 3072	765 x 2150	50-50	18	5000	500	125	
0-YUM-YVP-750	Hydro Filter 3672	918 x 2260	50-50	26	7500	750	200	
0-YUM-YVP-1000	Hydro Filter 4294	1088 x 2400	65-65	28	9000	900	225	
0-YUM-YVP-1200	Hydro Filter 4894	1218 x 2400	65-65	46	12000	1200	350	
0-YUM-YVP-1600	Hydro Filter 6394	1620 x 2400	80-80	55	16000	1400	750	
0-YUM-YVP-1600L	Hydro Filter 6394 L	1620 x 2400	80-80	70	18000	1800	750	

SIEMENS PLC+TOUCH SCREEN PRICE DIFFERENCE

HFT Brand FRP tank

Backwash with timer

Cast butterfly valves with electric actuators (pneumatic electric actuator option, no price difference)

Hyporally structure, connector diffuser

PVC material, surfaced piping (Epoxy coated frame)

Max. working pressure 6 bars.

Sample faucets and manometers is in the input and output of the system

PLC based Siemens logo control panel (Touchscreen option)

Electric 220V/50 Hz /1 ph

Air supply belongs to the customer in case of pneumatic valves

Recommended compressor capacity is min. 100 lt/min. And 8 bars

EPOXY PAINTED ST-37 TANK FLOW CONTROLLED SOFTENER SYSTEMS

Stock Code	Model	Tank Size mm. Diameter X H	Connection Dimension	Service Flow 40 m/h	m ³ x Fr	Minerals		Standard Price Electric Actuator	Galvanize Piping Price Difference
						Resin (kg)	Quartz (kg)		
0-YUM-YV-1200	Hydro Filter 1200	1200 x 2790	65-65	46	18000	1800	300		
0-YUM-YV-1600	Hydro Filter 1600	1600 x 3020	80-80	80	28000	2800	400		
0-YUM-YV-2000	Hydro Filter 2000	2000 x 3250	100-100	125	44000	4400	500		
0-YUM-YV-2400	Hydro Filter 2400	2400 x 3400	125-125	180	63000	6300	700		

SIEMENS PLC+TOUCH SCREEN PRICE DIFFERENCE

Epoxy painted carbon steel system

Backwashing with timer.

Cast butterfly valves with electric actuators (pneumatic electric actuator option, no price difference)

Hyporally (base) connector diffuser

PVC-U material surface piping (Optional galvanize surface piping)

Max working pressure 6 bars

Sample faucets and manometers is in the input and output of the system

PLC based Siemens logo control panel (Touch screen option)

Electric 240 V/ 220 V

Air supply belongs to the customer in case of pneumatic valves

Recommended compressor capacity lt/min. And 8 bars

HYDROSAFE AUTOMATIC TANDEM SOFTENER SYSTEMS

CLACK WS1 DUBLEX SOFTENER - FLECK 9100 TANDEM SOFTENER

Stock Code	Tank	Filtration Speed 40 m/h	m³ x Fr	Minerals		FLECK Price	CLACK Price
				Resin (lt)	Quartz (kg)		
0-YUM-D0010	8x17	1.3	200	10 x 2			
0-YUM-D0020	8x35	1.3	400	20 x 2			
0-YUM-D0030	10x35	2	600	30 x 2			
0-YUM-D0050	10x54	2	1000	50 x 2			
0-YUM-D0060	12x52	2.9	1200	60 x 2			
0-YUM-D0075	13x54	3.4	1500	75 x 2	10 x 2		
0-YUM-D0100	14x65	4	2000	100 x 2	10 x 2		
0-YUM-D0150	16x65	5.2	3000	150 x 2	15 x 2		
0-YUM-D0200	18x65	6	4000	200 x 2	20 x 2		
0-YUM-D0250	21x62	6.3	5000	250 x 2	25 x 2		

CLACK WS125 DUBLEX SOFTENER

Stock Code	Tank	Filtration Speed 40 m/h	m³ x Fr	Minerals		CLACK Price
				Resin (lt)	Quartz (kg)	
0-YUM-D0100	14x65	4	2000	100 x 2	10 x 2	
0-YUM-D0150	16x65	5.2	3000	150 x 2	15 x 2	
0-YUM-D0200	18x65	6.5	4000	200 x 2	20 x 2	
0-YUM-D0250	21x62	7.7	5000	250 x 2	25 x 2	

CLACK WS15 DUBLEX SOFTENER - FLECK 9500 TANDEM SOFTENER

Stock Code	Tank	Filtration Speed 40 m/h	m³ x Fr	Minerals		FLECK Price	CLACK Price	FLOTROL Price
				Resin (lt)	Quartz (kg)			
0-YUM-D0100	14x65	4	2000	100 x 2	10 x 2			
0-YUM-D0150	16x65	5.2	3000	150 x 2	15 x 2			
0-YUM-D0200	18x65	6.5	4000	200 x 2	20 x 2			
0-YUM-D0250	21x62	9	5000	250 x 2	25 x 2			
0-YUM-D0300	24x72	11.6	6000	300 x 2	30 x 2			
0-YUM-D0500	30x72	15	10000	500 x 2	50 x 2			

SYSTEMSDE HFT Brand TANK KULLANILIR.

CLACK WS2 DUBLEX SOFTENER - FLOTROL F50 DUBLEX SOFTENER NXT.

Stock Code	Tank	Filtration Speed 40 m/h	m³ x Fr	Minerals		FLECK Price	CLACK Price	FLOTROL Price
				Resin (lt)	Quartz (kg)			
0-YUM-D0300	24x72	11.6	6000	300 x 2	30 x 2			
0-YUM-D0500	30x72	18	10000	500 x 2	50 x 2			
0-YUM-D0750	36x72	25	15000	750 x 2	75 x 2			
0-YUM-D1000	42x72	25	18000	900 x 2	100 x 2			

CLACK WS 2 QC DUBLEX SOFTENER - FLOTROL F60 DUBLEX SOFTENER NXT.

Stock Code	Tank	Filtration Speed 40 m/h	m³ x Fr	Minerals		FLECK Price	CLACK Price	FLOTROL Price
				Resin (lt)	Quartz (kg)			
0-YUM-D0500	30x72	20	10000	500 x 2	50 x 2			
0-YUM-D0750	36x72	26	15000	750 x 2	75 x 2			
0-YUM-D1000	42x72	30	18000	900 x 2	100 x 2			
0-YUM-D1200	48x72	30	24000	1200 x 2	175 x 2			

SURFACE PIPING SYSTEMS

FRP TANK TANDEM SOFTENER SYSTEMS

Stock Code	Model	Tank Size mm. Diameter X H	Connection Dimension	Service Flow 40 m/h	Brine Tkt. (kg)	m³ x Fr	Minerals		Standard Price Electric Actuator
							Resin (kg)	Quartz (kg)	
0-YUM-YDP-500	Hydro Filter 3072	765 x 2150	50-50-25	18	75	10000	500x2	125x2	
0-YUM-YDP-750	Hydro Filter 3672	918 x 2260	65-50-25	26	113	15000	750x2	200x2	
0-YUM-YDP-1000	Hydro Filter 4294	1088 x 2400	65-50-25	28	135	18000	900x2	225x2	
0-YUM-YDP-1200	Hydro Filter 4894	1218 x 2400	80-50-40	46	180	24000	1200x2	350x2	
0-YUM-YDP-1600	Hydro Filter 6394	1620 x 2400	80-50-40	55	270	28000	1400x2	750x2	
0-YUM-YDP-1600L	Hydro Filter 6394 L	1620 x 2400	80-50-40	70	270	36000	1800x2	750x2	

SIEMENS PLC+TOUCH SCREEN PRICE DIFFERENCE

HFT Brand FRP tank

Backwash with timer

Cast butterfly valves with electric actuators (pnomatic electric actuator option, no price difference)

Hypo rally structure, connector diffusor

PVC material, surfaced piping (Epoxy coated frame)

Max. working pressure 6 bars.

Sample faucets and manometers is in the input and output of the system

PLC based Siemens logo control panel (Touchscreen option)

Electric 220V/50 Hz /1 ph

Air supply belongs to the customer in case of pnomatic valves

Recommended compressor capacity is min. 100 lt/min. And 8 bars

EPOXY PAINTED ST-37 TANK TANDEM SOFTENER SYSTEMS

Stock Code	Model	Tank Size mm. Diameter X H	Connection Dimension	Service Flow 40 m/h	Brine Tkt. (kg)	m³ x Fr	Minerals		Standard Price Electric Actuator	Galvanize Piping Price Difference
							Resin (kg)	Quartz (kg)		
0-YUM-YD-1200	Hydro Filter 1200	1200 x 3120	80-50-40	46	270	36000	1800x2	300x2		
0-YUM-YD-1600	Hydro Filter 1600	1600 x 3350	100-80-50	80	420	56000	2800x2	400x2		
0-YUM-YD-2000	Hydro Filter 2000	2000 x 3550	125-80-50	125	660	88000	4400x2	500x2		
0-YUM-YD-2400	Hydro Filter 2400	2400 x 3750	150-100-80	180	945	126000	6300x2	700x2		

SIEMENS PLC+TOUCH SCREEN PRICE DIFFERENCE

Epoxy painted carbon steel system

Backwashing with timer.

Cast butterfly valves with electric actuators (pnomatic electric actuator option, no price difference)

Hypo (base) rally connector diffusor

PVC-U material surface piping (Optional galvanize surface piping)

Max working pressure 6 bars

Sample faucets and manometers is in the input and output of the system

PLC based Siemens logo control panel (Touch screen option)

Electric 240 V/ 220 V

Air supply belongs to the customer in case of pnomatic valves

Recommended compressor capacity lt/min. And 8 bars



HYDROSAFE WASTE WATER SYSTEMS

HYDRO BIO WASTE WATER SYSTEMS

Stock Code	Model	Flow m ³ /d	Diameter mm.	Length mm.	Empty Weight	Price
O-BIO-50	Hydro Bio-50	10	2000	2000	2500	
O-BIO-100	Hydro Bio-100	20	2000	3500	3000	
O-BIO-150	Hydro Bio-150	30	2000	5000	3000	
O-BIO-200	Hydro Bio-200	40	2300	5800	3000	
O-BIO-300	Hydro Bio-300	60	2300	8700	3000	
O-BIO-400	Hydro Bio-400	80	2300	11600	3000	
O-BIO-500	Hydro Bio-500	100	2300	12600	3000	
O-BIO-600	Hydro Bio-600	120	2300	13500	3000	
O-BIO-700	Hydro Bio-700	140	2300	13500	3000	
O-BIO-800	Hydro Bio-800	160	2300	13500	3000	
O-BIO-1000	Hydro Bio-1000	200	2300	13500	3000	

TECHNICAL SPECIFICATIONS

It is designed as sequencing batch reactor

It is developed in order to purification of domestic waste water

System includes basket grill,plunge upgrade pump, blower pump,diffusors and plunge decharge pump

Ventilation, precipitate and decharge perform at the same reactor

It produced by ST-37 epoxy coated steel galvanize

It works at smart role (compact PLC) command (order)

Prismatic type

REMINERALIZATION SYSTEMS

HYDRO REMINERALIZATION SYSTEMS

Stock Code	Model	System Flow m ³ /h	Valve Flow m ³ /h	Connection	Mineral	Tank Size	Price
O-REM-20	HydroREM / 20	0.670	2	1"	20	207-898	
O-REM-30	HydroREM / 30	1.04	2	1"	30	258-897	
O-REM-50	HydroREM / 50	1.04	2	1"	50	258-1386	
O-REM-75	HydroREM / 75	1.79	4	1"	75	338-1400	
O-REM-100	HydroREM / 100	2.06	4	1"	100	363-1674	
O-REM-150	HydroREM / 150	2.67	4	1"	150	413-1671	
O-REM-200-1	HydroREM / 200-1	3.70	5	1"-1 ½"	200	486-1722	
O-REM-250-2	HydroREM / 250-2	4.83	10	1 ½"	250	555-1721	
O-REM-300-1	HydroREM / 300-1	6.15	10	1 ½"	300	626-1918	
O-REM-500	HydroREM / 500	9.55	10-20	1 ½"-2"	500	780-2171	
O-REM-800-1	HydroREM / 800-1	13.8	20	2"	800	938-2198	
O-REM-1000-1	HydroREM / 1000-1	18.6	20-5	2"	1000	1089-2360	
O-REM-1200-1	HydroREM / 1200-1	23.86	50	3"	1200	1233-2360	

ULTRAFILTRATION SYSTEMS

HYDRO UF 6 SERIES SYSTEMS - MANUEL

Stock Code	Model	Module Qty.	Feeding Flow m ³ /h @2.5 bar	Product Flow m ³ /h @2.5 bar	Back Wash Pump m ³ /h @3.5 bar	Price
O-UF-6-1	Hydro UF 64-1	1	0.55	0.5	-	
O-UF-6-2	Hydro UF 64-2	2	1.1	1	-	
O-UF-6-2	Hydro UF 64-3	3	1.65	1.5	-	

HYDRO UF 64 SERIES SYSTEMS

Stock Code	Model	Module Qty.	Feeding Flow m ³ /h @2.5 bar	Product Flow m ³ /h @2.5 bar	Back Wash Pump m ³ /h @3.5 bar	Price
O-UF-64-1	Hydro UF 64-1	1	5	4.7	15.4	
O-UF-64-2	Hydro UF 64-2	2	10	9.4	30.7	
O-UF-64-3	Hydro UF 64-3	3	15	14.1	46.1	
O-UF-64-4	Hydro UF 64-4	4	20	18.8	61.4	
O-UF-64-6	Hydro UF 64-6	6	30	28.1	92.2	
O-UF-64-8	Hydro UF 64-8	8	40	37.5	122.9	
O-UF-64-10	Hydro UF 64-10	10	50	46.9	153.6	
O-UF-64-12	Hydro UF 64-12	12	60	56.3	184.3	
O-UF-64-14	Hydro UF 64-14	14	70	65.6	215	
O-UF-64-16	Hydro UF 64-16	16	80	75	245.8	
O-UF-64-18	Hydro UF 64-18	18	90	84.4	276.5	
O-UF-64-20	Hydro UF 64-20	20	100	93.8	307.2	

GREY WATER HYDRO UF SERIES

Stock Code	Model	Module Qty.	Feeding Flow m ³ /h @2.5 bar	Product Flow m ³ /h @2.5 bar	Price
O-GUF-6-1	Hydro GUF 6-1	1	0.28	0.25	
O-GUF-6-2	Hydro GUF 6-2	2	0.55	0.5	
O-GUF-6-2	Hydro GUF 6-3	3	0.83	0.75	

TECHNICAL SPECIFICATIONS

All Hydro UF64 designs are based on 50mg / LAKM valve and 64 m2 modules

Turbidity value accepted as 15 NTU on the surface water. Production Flow and pump will change according to different turbidity values. Cycling life is identified according to detailed water analysis
Chemical dosage pumps 250 mg/L CaCO₃ alcanite valve , 1000/us cm conductivity, 20°C water heat, ph 2.5-12 based on
Maximum permissible water analysis values are : dissolved Fe<0.2 ppm, dissolved Mn<0.05 ppm , dissolved AL<0.1 ppm, total hardness <100 ppm CaCO₃, colloidal silica<1 ppm

It is accepted that there is no fatty fat in the systems

Back washing is manuel in the Hydro UF 6 series system

Filter with a sensitivity less than 300 microns will be obtained by the clients before the all systems

TECHNICAL SPECIFICATIONS

PN10 PVC piping used in every system

Automatic valves of the Hydro UF64 systems are 8 pieces and including electric actuator

Production water storage will be used as backwashing storage in all devices

Stainless steel and backwashing pump including the prices

Production water flowmeters will be mecanic inline type. Feeding and backwashing flow are given in the table above.

Feeding pump is excluded from the prices

Chemical dosage pumps will be used as SEKO, AQUA and equivalent

Our system does not include CIP. It will be quoted in case of demand

Our system does not include air integrity test. It will be quoted incase of demand. PLC+ Screen (operational panel) will be used in Hydro UF 64 and grey water devices panel

Grey water UF system does not adequate by its own, so, please consult with our company for order request

UF6 seriesi compose of UF membrane, membrane housing, frame , manuel valve and installement



Pall usa

HEADQUARTER / USA

5285, US-5, Windsor VT 05089, **IL 60133 U.S.A**

e-mail : inquiriespallusa.net Telephone : 1.800.950.009872
